

HYDRAULIC CONTROL VALVES - P40 SERIES

Badestnost

hydraulic components

CAST IRON (BODY) - EN-GJL300

1 ▶ 7 LEVER CONTROL BANKS

NOMINAL FLOW RATE - 40 LPM

MAX PRESSURE - P = 250 BAR, T = 50 BAR, A / B = 300 BAR

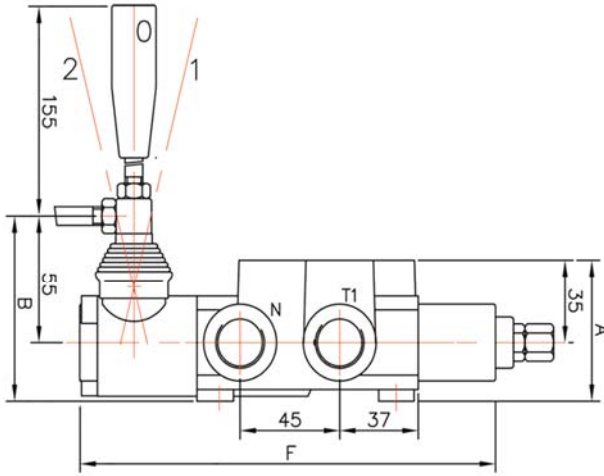
SPOOL STROKE : ±6 MM

OPERATING TEMPERATURE (°C) : -40°C ▶ +60°C

SPOOL LEAKAGE @ 120 BAR = 15CM³ P/M

RELIEF VALVE SETTING: 180 BAR (250 BAR MAX')

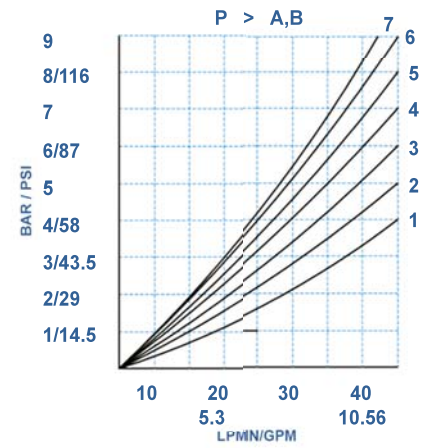
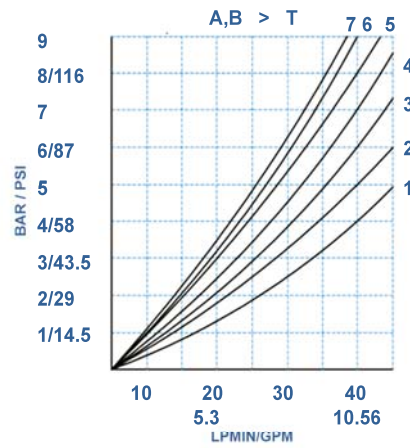
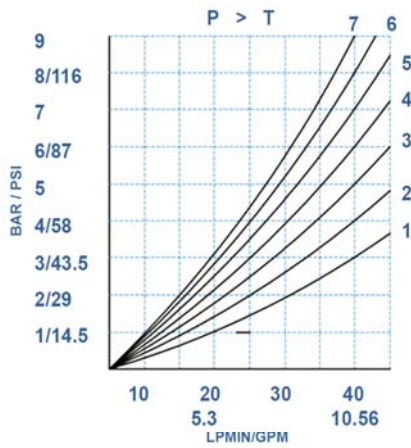
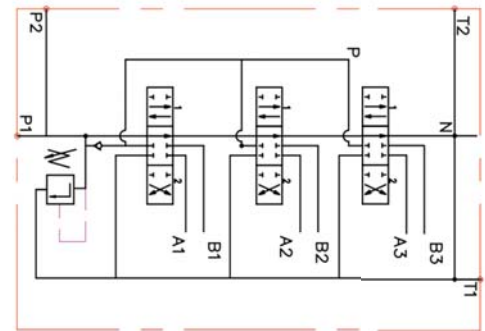
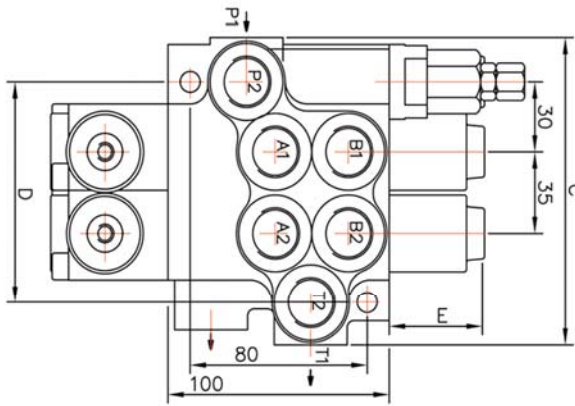
MOUNTING : M8 BOLT SIZE (x2)



LEFT HAND CONFIGURATION (STANDARD)



STANDARD PARALLEL CONFIGURATION



ORDER CODE	VALVE TYPE	NUMBER OF SECTIONS	NOMINAL FLOW (lpm)	MAX OPERATING PRESSURES (bar)			A (mm)	B (mm)	C (mm)	D (mm)	E (mm)	F (mm)	PORT SIZES (bsp)						
				P	T	A - B							P	T	A - B	N			
P401A1G	P40	1	40	250	50	300	60	80	85	60	40	193	1/2"	1/2"	3/8"	1/2"			
P402A1G		2															129	97	225
P403A1G		3															164	132	225
P404A1G		4															199	167	193
P405A1G		5															234	202	193
P406A1G		6															269	237	193
P407A1G		7															304	272	193