

HYDRAULIC CONTROL VALVES - P80 SERIES

CAST IRON (BODY) - EN-GJL300

1 ▶ 6 LEVER CONTROL BANKS

NOMINAL FLOW RATE - 80 LPM

MAX PRESSURE - P = 250 BAR, T = 50 BAR, A / B = 300 BAR

SPOOL STROKE : ±7 MM

OPERATING TEMPERATURE (°C) : -40°C ▶ +60°C

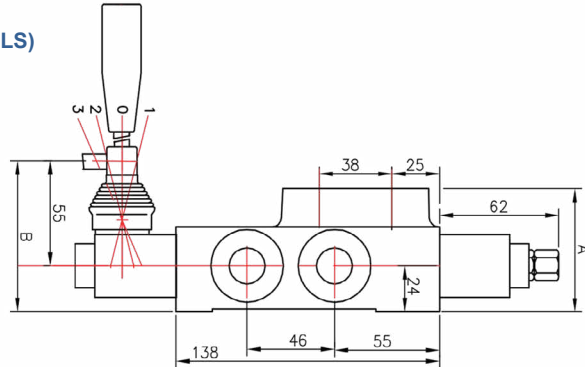
SPOOL LEAKAGE @ 120 BAR = 18CM³ P/M

RELIEF VALVE SETTING: 180 BAR (250 BAR MAX')

MOUNTING : M8 BOLT SIZE (x3)

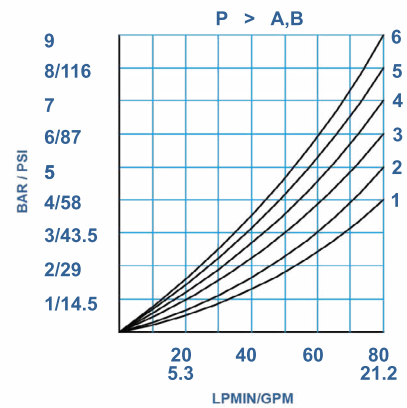
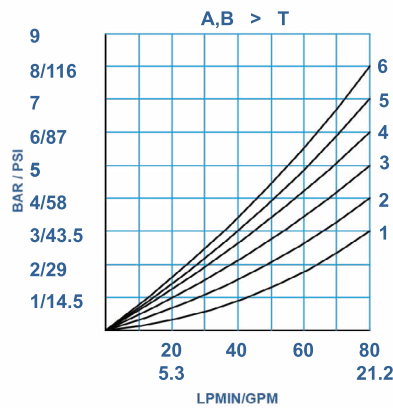
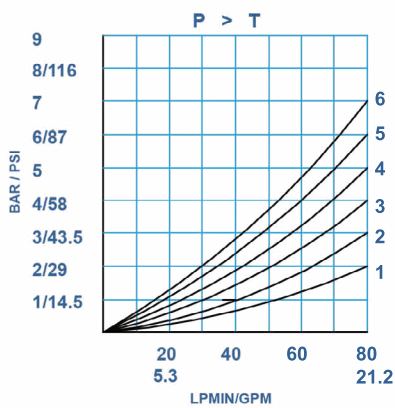
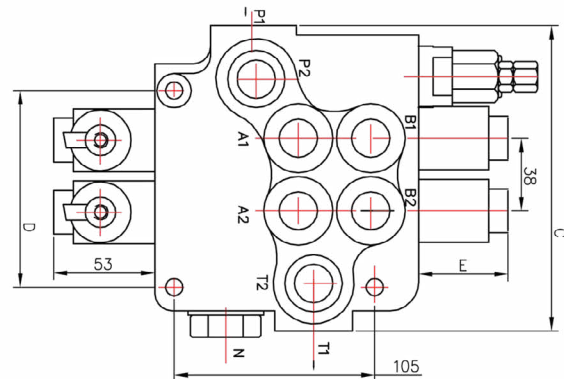
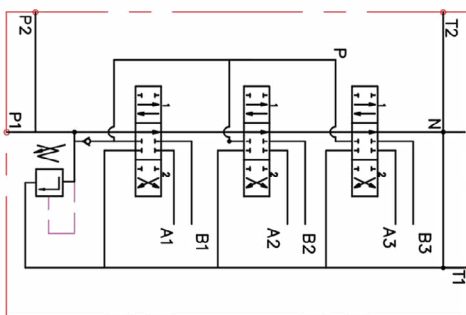
PX-80 HEAVY DUTY VERSION ON REQUEST (ENQUIRE FOR DETAILS)

Badestnost
hydraulic components



LEFT HAND CONFIGURATION (STANDARD)

STANDARD PARALLEL CONFIGURATION



ORDER CODE	VALVE TYPE	NUMBER OF SECTIONS	NOMINAL FLOW (lpm)	MAX OPERATING PRESSURES (bar)			A (mm)	B (mm)	C (mm)	D (mm)	E (mm)	F (mm)	PORT SIZES (bsp)						
				P	T	A - B							P	T	A - B	N			
P801A1G	P80	1	80	250	50	300	65	79	107	65	40	193	1/2"	3/4"	1/2"	3/4"			
P802A1G		2															160	103	225
P803A1G		3															198	141	225
P804A1G		4															236	179	193
P805A1G		5															274	217	193
P806A1G		6															312	255	193