

SPHERICAL BEARINGS - SRT-2RS SERIES

SPHERICAL PLAIN BEARING

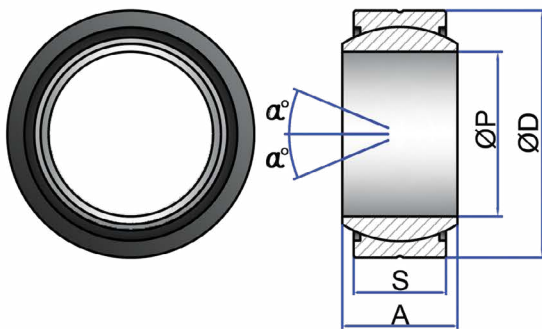
ISO12240-1 - SERIES E

MAINTENANCE FREE VERSION

FITTED WITH PROTECTION RINGS

HARD CHROMIUM / PTFE COUPLING

TEMPERATURE RANGE: -20°C ▶ +190°C



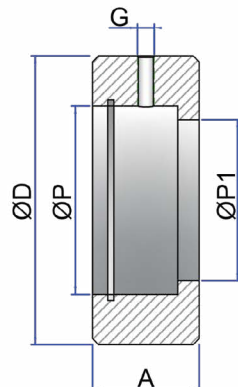
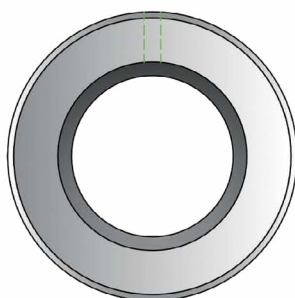
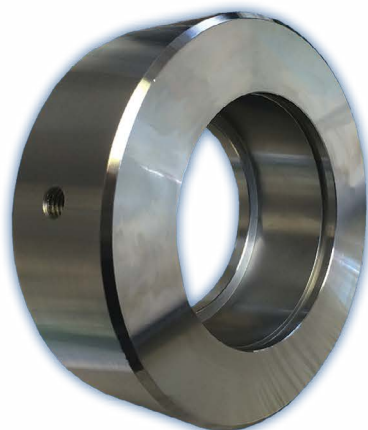
ORDER CODE	P Ø(mm)	D Ø(mm)	A (mm)	S (mm)	MOVEMENT ANGLE (α°)	DYNAMIC LOAD (kn)	STATIC LOAD (kn)
SRT17-2RS	17	30	14	10	10	48	81
SRT20-2RS	20	35	16	12	9	68	112
SRT25-2RS	25	42	20	16	7	130	225
SRT30-2RS	30	47	22	18	6	170	285
SRT35-2RS	35	55	25	20	6	220	370
SRT40-2RS	40	62	28	22	7	280	465
SRT45-2RS	45	68	32	25	7	360	600
SRT50-2RS	50	75	35	28	6	440	735
SRT60-2RS	60	90	44	36	6	690	1155
SRT70-2RS	70	105	49	40	6	880	1470
SRT80-2RS	80	120	55	45	6	1135	1900
SRT90-2RS	90	130	60	50	5	1375	2320
SRT100-2RS	100	150	70	55	7	1725	2860
SRT110-2RS	110	160	70	55	6	1860	3100
SRT120-2RS	120	180	85	70	6	2700	4500
SRT140-2RS	140	210	90	70	7	3010	5020
SRT160-2RS	160	230	105	80	8	3840	6400
SRT180-2RS	180	260	105	80	6	4320	7200
SRT200-2RS	200	290	130	100	7	6000	10000
SRT220-2RS	220	320	135	100	8	6600	11000
SRT240-2RS	240	340	140	100	8	7200	12000
SRT260-2RS	260	370	150	110	7	8650	14300
SRT280-2RS	280	400	155	120	6	10050	16750
SRT300-2RS	300	430	165	120	7	10800	18000

PLEASE NOTE: TO AVOID DAMAGE / LOSS OF THE PROTECTION RINGS (-2RS), DO NOT ALLOW THE INNER BALL TO ROTATE OUT OF THE EXTERNAL HOUSING.

WELDABLE RING FOR SPHERICAL BEARINGS

STEEL - FE510C (S355J0) - S355JR (A105)

ALSO AVAILABLE IN 316 STAINLESS STEEL



ORDER CODE	P Ø(mm)	P1 Ø(mm)	D Ø(mm)	A (mm)	G Ø(mm)	TO SUIT BEARING SERIES
RPCAGE40	26	22	40	15	M6	SR15, SR15-2RS, GE15ET/X (S/S), SRB15
RPCAGE50 (1)	35	29	50	19		SR20, SR20-2RS, GE20ET/X (S/S), SRB20
RPCAGE60 (1)	42	35	60	23		SR25, SR25-2RS, GE25ET/X (S/S), SRB25
RPCAGE70 (1)	47	40	70	28		SR30, SR30-2RS, GE30ET/X (S/S), SRB30
RPCAGE85 (1)	55	47	85	30		SR35, SR35-2RS, GE35ET/X (S/S)
RPCAGE95 (1)	62	53	95	35	M8	SR40, SR40-2RS, GE40ET/X (S/S)
RPCAGE110	68	60	110	40		SR45, SR45-2RS, GE45ET/X (S/S)
RPCAGE120	75	66	120	40		SR50, SR50-2RS, GE50ET/X (S/S)
RPCAGE138	90	80	138	50		SR60, SR60-2RS, GE60ET/X (S/S)

(1) = SIZE CAN BE SUPPLIED IN AISI 316 GRADE STAINLESS STEEL PLEASE QUOTE 'SS' IN PART NUMBER, I.E: RPS^{SS}CAGE50

MATCHING BEARING SERIES DETAILS FOUND ON PAGES 106, 108 & 111.