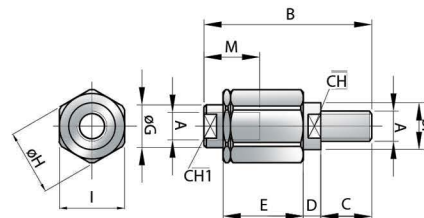
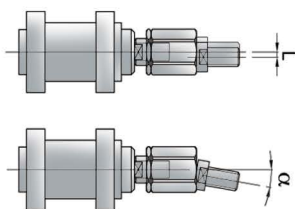


SELF-ALIGNING JOINTS

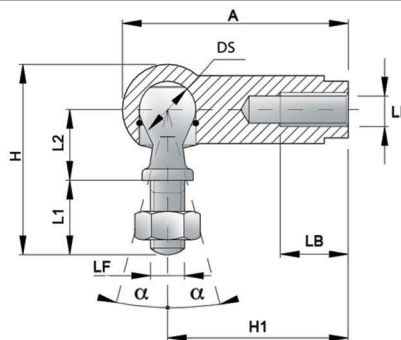
MATERIAL: GALVANIZED STEEL



ORDER CODE	A Ø(mm)	B (mm)	C (mm)	D (mm)	E (mm)	F Ø(mm)	G Ø(mm)	H Ø(mm)	I (mm)	L (mm)	M (mm)	CH (mm)	MOVEMENT ANGLE (α°)	CH1 (mm)	WEIGHT (grams)
SAU40006	M6 x 1	35	10	3.5	17.5	6	8.5	14.5	13	1	10	5	10	7	25
SAU40008	M8 x 1.25	57	20	4	28.5	8	12.5	19	17	2	20	7		11	60
SAU40010	M10 x 1.25	71	20	5	35	14	22	32	30			32		20	19
SAU40011	M10 x 1.5									220					
SAU40012	M12 x 1.25	75	24	8	54	22	32	45	41	40	20	30		230	
SAU40013	M12 x 1.75													230	
SAU40016	M16 x 1.5	103	32	8	54	22	32	45	41	32	20	30		660	
SAU40020	M20 x 1.5	119	40	8	54	22	32	45	41	40	20	30		700	

ANGULAR JOINTS (DIN)

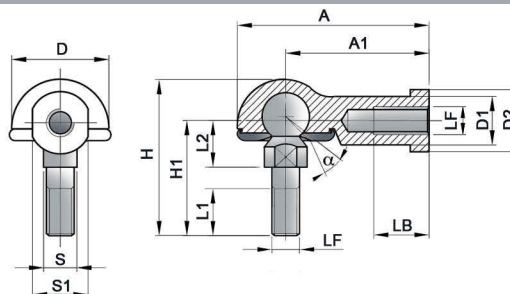
MATERIAL: AVP
DIN71802



ORDER CODE	LF Ø(mm)	LB (mm)	L1 (mm)	L2 (mm)	A (mm)	H (mm)	H1 (mm)	DS (mm)	MOVEMENT ANGLE (α°)	WEIGHT (grams)
SA10480	M5 x 0.8	12	12.5	11	32	31	24.5	10	18	28
SA10481	M6 x 1	12	12.5	11	32	31	24.5	10		39
SA10482	M8 x 1.25	14	16.5	13	39	40	29.5	13		68
SA10482	M10 x 1.5	18	20	17	46	49	34	16		112
SA10484	M14 x 1.5	22	28	23	60	66	45	18		164

ANGULAR JOINTS

MATERIAL: GALVANIZED STEEL



ORDER CODE	LF Ø(mm)	D1 Ø(mm)	D2 Ø(mm)	D (mm)	H (mm)	H1 (mm)	A (mm)	A1 (mm)	L1 (mm)	L2 (mm)	LB (mm)	S (mm)	S1 (mm)	STATIC LOAD (kn)	MOVEMENT ANGLE (α°)	WEIGHT (grams)
SA20005	M5	9	11	16	29	21	35	27	8	10	14	7	9	2.2	25	28
SA20006	M6	10	13	19	35.5	26	40	30	11	11	14	8	11	3.5		39
SA20008	M8	12.5	16	23	42.5	31	48	36	12	14	17	10	14	6.6		68
SA20010	M10 x 1.25	15	19	27	50.5	37	57	43	15	17	21	11	17	10	25	112
SA20012	M12 x 1.25	17.5	22	31	57.5	42	66	50	17	19	25	15	19	16		164
SA20014	M14 x 1.5	20	25	35	73.5	56	75	57	22	21.5	26	17	22	19		254
SA20016	M16 x 1.5	22	27	39	79.5	60	84	64	23	23.5	32	19	22	26	20	336