

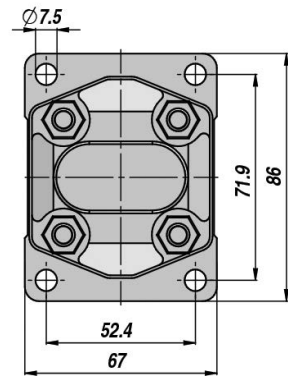
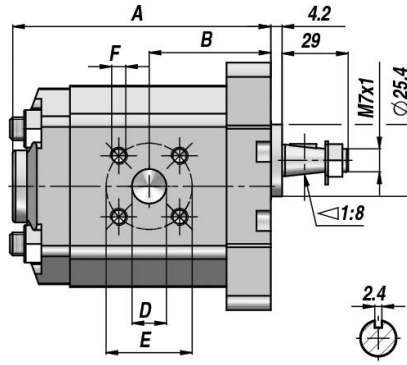
GEAR PUMPS - PC-1 SERIES

PC-1 / GR1 SERIES GEAR PUMP

Ø25.4 FLANGE TYPE (STANDARD EUROPEAN)

1:8 TAPER SHAFT

CLOCKWISE / ANTI-CLOCKWISE VERSIONS



ORDER CODE	WORKING PRESSURE (bar)		RPM - U/MIN		DISPLACEMENT (cm ³ / rev)	A (mm)	B (mm)	IN			OUT		
	MAX	PEAK	MIN	MAX				ØD	E	ØF	ØD	E	ØF
PC*111ECC1A	200	250	700	6000	1.10	75	33	12	30	M6	12	30	M6
PC*113ECC1A					1.30	76	34						
PC*116ECC1A					1.60	78	35						
PC*121ECC1A					2.10	79	36						
PC*127ECC1A					2.70	81	37						
PC*132ECC1A					230	700	5000						
PC*137ECC1A	3.70	85	39										
PC*142ECC1A	4.00	87	40										
PC*148ECC1A	3500	89	41										
PC*158ECC1A	160	200	700	2900	5.80	93	43	12	30	M6	12	30	M6
PC*179ECC1A	160	180			2100	8.00	101						

* = ROTATION TYPE TO BE SPECIFIED. PLEASE ADD:

- D = CLOCKWISE.
- S = ANTICLOCKWISE.

GEAR PUMPS - PC-2 SERIES

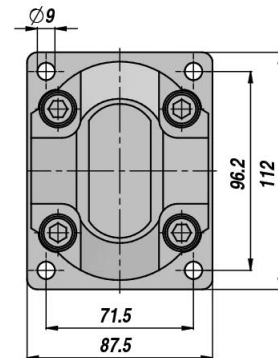
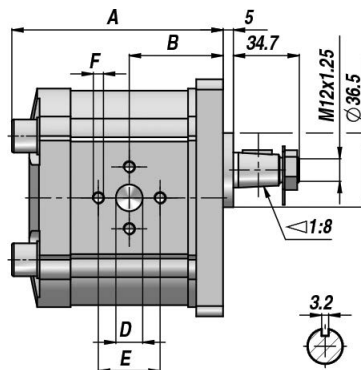
PC-2 / GR2 SERIES GEAR PUMP

Ø36.5 FLANGE TYPE (STANDARD EUROPEAN)

1:8 TAPER SHAFT

CLOCKWISE / ANTI-CLOCKWISE VERSIONS

BSP THREADED HOUSING ON REQUEST



ORDER CODE	WORKING PRESSURE (bar)		RPM - U/MIN		DISPLACEMENT (cm ³ / rev)	A (mm)	B (mm)	IN			OUT					
	MAX	PEAK	MIN	MAX				ØD	E	ØF	ØD	E	ØF			
PC*206EAA1G	200	250	700	3000	6.00	100	47	13	30	M6	13	30	M6			
PC*208EAA1G					8.00	104	49									
PC*210EAA1G					10.00	106	50									
PC*212EAA1G					12.00	110	52									
PC*214EAA1G					230	700	2500							14.00	112	53
PC*216EAA1G														16.00	116	55
PC*220EAA1G	190	200	700	2500	20.00	122	58	20	40	M8	13	30	M6			
PC*225EAA1G	160				25.00	130	62									
PC*230EAA1G	140				180	2500	30.00							138	66	

* = ROTATION TYPE TO BE SPECIFIED. PLEASE ADD:

- D = CLOCKWISE.
- S = ANTICLOCKWISE.

"BSP" THREADED HOUSING AVAILABLE ON REQUEST.