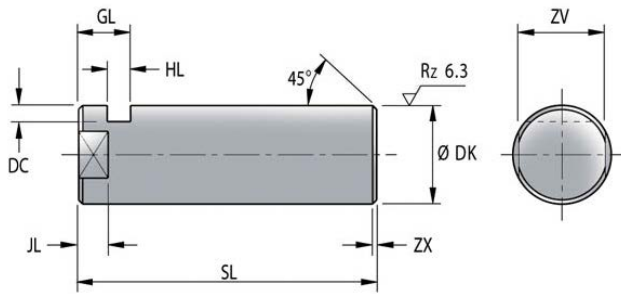


PIN FOR IKA & IKB TYPE BRACKETS

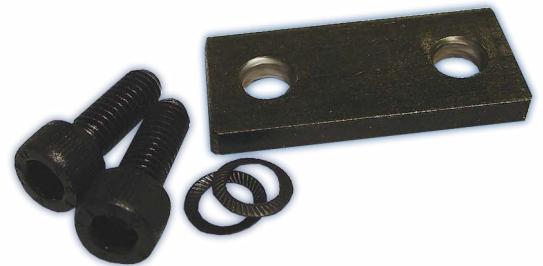
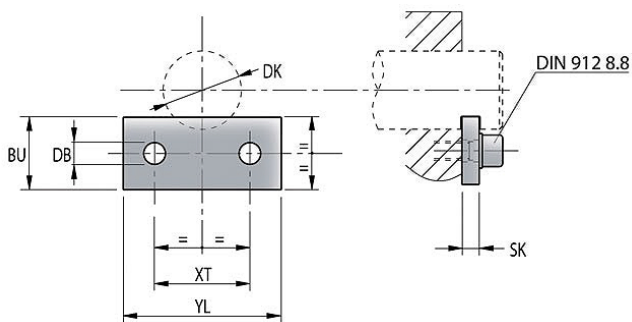
MATERIAL: 20 MN CR5



ORDER CODE	DK (M6) Ø(mm)	SL (mm)	GL (mm)	HL (mm)	JL (mm)	ZV (mm)	DC (mm)	ZX (mm)
KPE10	10	34	8	3.3	4.5	8	3	1
KPE12	12	38	8	3.3	4.5	10	4	1
KPE16	16	46	8	3.3	5.5	13	4	1
KPE20	20	58	10	4.5	5.5	17	5	1.5
KPE25	25	69	10	4.5	6.5	21	5	1.5
KPE32	32	87	13	5.5	8.5	27	6	2
KPE40	40	110	16	6.5	8.5	32	7	2
KPE50	50	133	19	9	8.5	41	8	2
KPE63	63	164	20	9	8.5	55	9	2
KPE80	80	202	26	11	11.5	65	11	3

FIXING PLATES FOR KPB & KPE TYPE PINS (ISO)

MATERIAL: S355JR - ST52.3
ISO 8133



ORDER CODE	DB (mm)	DK (mm)	BU (mm)	SK (mm)	YL (mm)	XT (mm)	HOLE THREAD (mm)	SAFETY RING	ORDER CODE	DB (mm)	DK (mm)	BU (mm)	SK (mm)	YL (mm)	XT (mm)	HOLE THREAD (mm)	SAFETY RING
PPP10*	5.4	10/12	15	3	20	11	5 x 12	5	PPP60	10.5	60	25	8	80	55	10 x 25	10
PPP12	6.4	12	15	3	27	16	6 x 12	6	PPP63*	10.5	63	25	8	80	55	10 x 25	10
PPP16*	6.4	16	15	3	30	16	6 x 12	6	PPP80	10.5	80	30	10	90	60	10 x 25	10
PPM16	6.4	16	15	3	40	25	6 x 12	6	PPP100	10.5	100	40	12	120	90	10 x 25	10
PPP20	6.4	20	18	4	40	25	6 x 16	6	* = NON STANDARD.								
PPP25	6.4	25	18	4	40	25	6 x 16	6									
PPP30	6.4	30	20	5	45	30	6 x 16	6									
PPP32*	6.4	32	20	5	45	30	6 x 16	6									
PPP40	8.4	40	20	6	62	42	8 x 20	8									
PPP50	8.4	50	25	8	65	45	8 x 20	8									