

# HM2 HYDRAULIC CYLINDERS

DOUBLE / SINGLE\* ACTING HYDRAULIC CYLINDER (\*=S/A WITH USE OF A BREATHER)

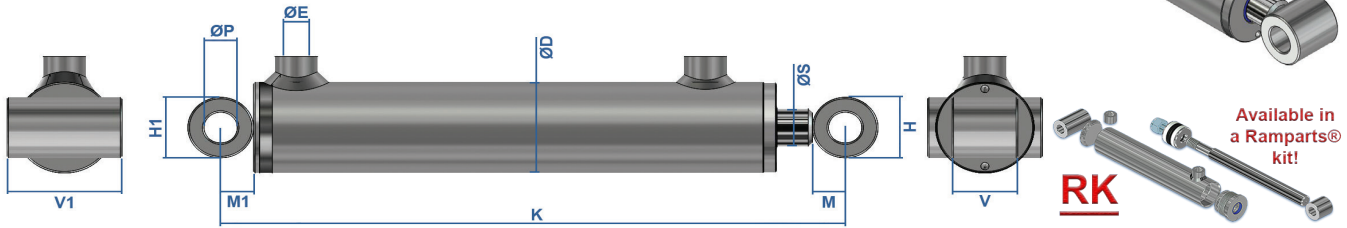
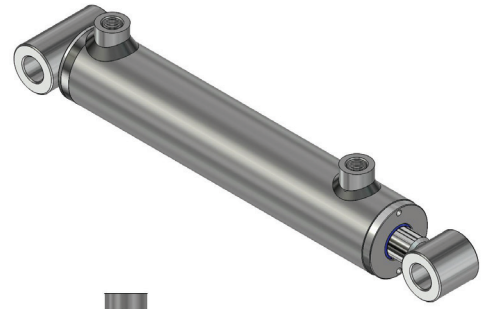
MAX PRESSURE = 210 BAR (CONTINUOUS) ► 250 BAR (INTERMITTENT)

MAX SPEED = 0.5 M/S

OPERATING TEMPERATURE (°C) = +80°C ► -25°C

TUBE MATERIAL = STEEL - ST52.3 - DIN2393 - ISO H9

ROD MATERIAL = STEEL - UNI C45 (SAE 1045) - 25 MICRON (±5) - EN8 GRADE



Available in  
a Ramparts®  
kit!

**RK**

ORDER CODE	BORE Ø(mm)	D Ø(mm)	S Ø(mm)	K (mm)	STROKE (mm)	E Ø(bsp)	M (mm)	M1 (mm)	P Ø(mm)	H (mm)	H1 (mm)	V (mm)	V1 (mm)	WEIGHT (kgs)
HM203220050	32	42	20	190	50	1/4"	17.5	17.5	16.25	35	35	30	60	1.88
HM2032200100				240	100									2.18
HM2032200150				290	150									2.53
HM2032200200				340	200									2.88
HM2032200250				390	250									3.28
HM2032200300				440	300									3.58
HM2032200400				540	400									4.28
HM2032200500				640	500									4.98
HM21200100	40	50	20	265	100	1/4"	17.5	17.5	16.25	35	35	30	60	2.85
HM21200150				315	150									3.25
HM21200200				365	200									3.63
HM21200250				415	250									4.03
HM21200300				465	300									4.43
HM21200350				515	350									4.85
HM21200400				565	400									5.23
HM21200450				615	450									5.66
HM21200500	665	500	6.07											
HM21250100	40	50	25	265	100	1/4"	17.5	17.5	16.25	35	35	30	60	3.08
HM21250150				315	150									3.53
HM21250200				365	200									3.97
HM21250250				415	250									4.43
HM21250300				465	300									4.9
HM21250350				515	350									5.37
HM21250400				565	400									5.84
HM21250450				615	450									6.3
HM21250500	665	500	6.78											
HM21250550	715	550	7.18											
HM21250600	765	600	7.71											
HM22250100	50	60	25	280	100	3/8"	20	20	20.25	40	40	40	70	4.13
HM22250150				330	150									4.67
HM22250200				380	200									5.18
HM22250250				430	250									5.69
HM22250300				480	300									6.19
HM22250350				530	350									6.78
HM22250400				580	400									7.24
HM22250450				630	450									8.14
HM22250500	680	500	8.27											

FOR CYLINDER KIT FORM PLEASE QUOTE 'RK' IN FRONT OF THE RELEVANT PART NUMBER, I.E: RKHM21200100.

RAMPARTS® CYLINDER COMPONENT KITS ARE AVAILABLE 'NEXT DAY' SUBJECT TO AVAILABILITY.

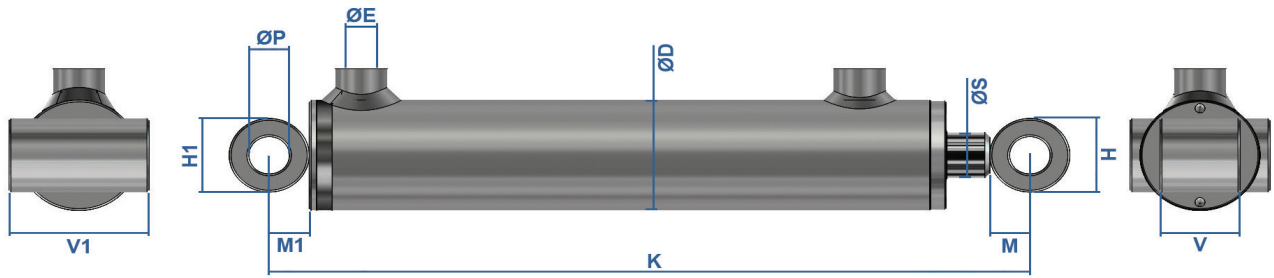
# HM2 HYDRAULIC CYLINDERS

ORDER CODE	BORE Ø(mm)	D Ø(mm)	S Ø(mm)	K (mm)	STROKE (mm)	E Ø(bsp)	M (mm)	M1 (mm)	P Ø(mm)	H (mm)	H1 (mm)	V (mm)	V1 (mm)	WEIGHT (kgs)
HM22250550	50	60	25	730	550	3/8"	20	20	20.25	40	40	40	70	8.9
HM22250600				780	600									9.3
<b>NEW!</b> HM22250700				880	700									10.5
HM22250800				980	800									11.55
HM22251000				1180	1000									13.71
<b>NEW!</b> HM22300100	50	60	30	280	100	3/8"	20	20	20.25	40	40	40	70	4.35
HM22300150				330	150									4.95
HM22300200				380	200									5.58
HM22300250				430	250									6.19
HM22300300				480	300									6.81
HM22300350				530	350									7.39
HM22300400				580	400									8.04
HM22300450				630	450									8.64
HM22300500				680	500									9.26
HM22300550				730	550									9.88
HM22300600				780	600									10.48
HM22300700				880	700									11.69
HM22300800				980	800									12.94
HM22301000				1180	1000									15.41
HM23300100				60	70									30
HM23300150	360	150	7.05											
HM23300200	410	200	7.7											
HM23300250	460	250	8.37											
HM23300300	510	300	9.05											
HM23300350	560	350	9.7											
HM23300400	610	400	10.4											
HM23300450	660	450	11.03											
HM23300500	710	500	11.75											
HM23300550	760	550	12.36											
HM23300600	810	600	13.1											
<b>NEW!</b> HM23300700	910	700	14.5											
HM23300800	1010	800	15.76											
HM23301000	1210	1000	18.5											
HM23350100	60	70	35			310	100	3/8"	25	25	25.25	50	50	
HM23350150				360	150	7.35								
HM23350200				410	200	8.1								
HM23350250				460	250	8.9								
HM23350300				510	300	9.65								
HM23350350				560	350	10.44								
HM23350400				610	400	11.22								
HM23350450				660	450	11.97								
HM23350500				710	500	12.75								
HM23350550				760	550	13.5								
HM23350600				810	600	14.31								
<b>NEW!</b> HM23350700				910	700	15.94								
HM23350800				1010	800	17.37								
HM23351000				1210	1000	20.43								
HM23400200				60	70	40	410							200
HM23400250	460	250	9.64											
HM23400300	510	300	10.53											

FOR CYLINDER KIT FORM PLEASE QUOTE 'RK' IN FRONT OF THE RELEVANT PART NUMBER, I.E: RKHM21200100.

RAMPARTS® CYLINDER COMPONENT KITS ARE AVAILABLE 'NEXT DAY' SUBJECT TO AVAILABILITY.

# HM2 HYDRAULIC CYLINDERS



ORDER CODE	BORE Ø(mm)	D Ø(mm)	S Ø(mm)	K (mm)	STROKE (mm)	E Ø(bsp)	M (mm)	M1 (mm)	P Ø(mm)	H (mm)	H1 (mm)	V (mm)	V1 (mm)	WEIGHT (kgs)
HM23400350	60	70	40	560	350	3/8"	25	25	25.25	50	50	50	80	11.49
HM23400400				610	400									12.4
HM23400450				660	450									13.29
HM23400500				710	500									14.17
HM23400550				760	550									14.95
HM23400600				810	600									15.8
<b>NEW!</b> HM23400700				910	700									17.79
HM23400800				1010	800									19.32
HM23401000				1210	1000									22.9
HM2063400200				63	73									40
HM2063400250	460	250	10.01											
HM2063400300	510	300	10.91											
HM2063400350*	560	350	11.81											
HM2063400400	610	400	12.71											
HM2063400450*	660	450	13.61											
HM2063400500	710	500	14.51											
HM2063400550*	760	550	15.41											
HM2063400600	810	600	16.31											
<b>NEW!</b> HM2063400700	910	700	18.1870											
HM2063400800	1010	800	20.01											
HM2063401000	1210	1000	23.61											
HM24350100	70	80	35	310	100	3/8"	25	25	25.25	50	50	50	90	7.6
HM24350150				360	150									8.46
HM24350200				410	200									9.25
HM24350250				460	250									10.11
HM24350300				510	300									10.91
HM24350350				560	350									11.77
HM24350400				610	400									12.51
HM24350450				660	450									13.39
HM24350500				710	500									14.11
HM24350550				760	550									15.17
HM24350600	810	600	15.71											
<b>NEW!</b> HM24350700	910	700	17.82											
HM24350800	1010	800	19.07											
HM24351000	1210	1000	22.77											
<b>NEW!</b> HM24400100	70	80	40	310	100	3/8"	25	25	25.25	50	50	50	90	8.15
<b>NEW!</b> HM24400150				360	150									9.11
HM24400200				410	200									9.79
HM24400250				460	250									10.77
HM24400300				510	300									11.25
HM24400350				560	350									12.71

FOR CYLINDER KIT FORM PLEASE QUOTE 'RK' IN FRONT OF THE RELEVANT PART NUMBER, I.E: RKHM21200100.

RAMPARTS® CYLINDER COMPONENT KITS ARE AVAILABLE 'NEXT DAY' SUBJECT TO AVAILABILITY.

\* = IF SUPPLIED IN RAMPARTS® KIT FORMAT, THIS TUBE AND ROD WILL NEED TO BE CUT DOWN BY 50mm EACH.

# HM2 HYDRAULIC CYLINDERS

ORDER CODE	BORE Ø(mm)	D Ø(mm)	S Ø(mm)	K (mm)	STROKE (mm)	E Ø(bsp)	M (mm)	M1 (mm)	P Ø(mm)	H (mm)	H1 (mm)	V (mm)	V1 (mm)	WEIGHT (kgs)
HM24400400	70	80	40	610	400	3/8"	25	25	25.25	50	50	50	90	14.31
HM24400450				660	450									14.62
HM24400500				710	500									15.52
HM24400550				760	550									16.61
HM24400600				810	600									17.5
<b>NEW!</b> HM24400700				910	700									19.59
HM24400800				1010	800									21.24
HM24401000				1210	1000									25.02
HM25400200				80	92									40
HM25400250	490	250	15.05											
HM25400300	540	300	16.18											
HM25400400	640	400	18.39											
HM25400500	740	500	20.6											
HM25400600	840	600	22.81											
<b>NEW!</b> HM25400700	940	700	25.32											
HM25400800	1040	800	27.33											
HM25401000	1240	1000	31.75											
HM25500200	80	92	50	440	200	1/2"	30	30	30.25	60	60	60	110	15.18
HM25500250				490	250									16.56
HM25500300				540	300									17.98
HM25500400				640	400									20.78
HM25500500				740	500									23.54
HM25500600				840	600									26.83
<b>NEW!</b> HM25500700				940	700									29.35
HM25500800				1040	800									32.33
HM25501000				1240	1000									37.83
HM2090500300	90	105	50	556	300	1/2"	35	35	40.25	70	70	70	130	23.63
HM2090500400				656	400									26.97
HM2090500500				756	500									30.3
HM2090500600				856	600									33.63
<b>NEW!</b> HM2090500700				956	700									36.98
HM2090500800				1056	800									40.3
HM2090501000				1256	1000									46.97
HM26500200	100	115	50	480	200	1/2"	35	35	40.25	70	70	70	130	23.84
HM26500250				530	250									25.84
HM26500300				580	300									27.34
HM26500400				680	400									30.84
HM26500500				780	500									34.34
HM26500600				880	600									37.84
<b>NEW!</b> HM26500700				980	700									41.54
HM26500800				1080	800									44.84
HM26501000				1280	1000									51.84
HM26600300	100	115	60	580	300	1/2"	35	35	40.25	70	70	70	130	29.84
HM26600400				680	400									33.84
HM26600500				780	500									37.84
HM26600600				880	600									41.84
<b>NEW!</b> HM26600700				980	700									46.44
HM26600800				1080	800									50.34
HM26601000				1280	1000									58.84

FOR CYLINDER KIT FORM PLEASE QUOTE 'RK' IN FRONT OF THE RELEVANT PART NUMBER, I.E: RKHM21200100.

RAMPARTS® CYLINDER COMPONENT KITS ARE AVAILABLE 'NEXT DAY' SUBJECT TO AVAILABILITY.

\* = IF SUPPLIED IN RAMPARTS® KIT FORMAT, THIS TUBE AND ROD WILL NEED TO BE CUT DOWN BY 50mm EACH.