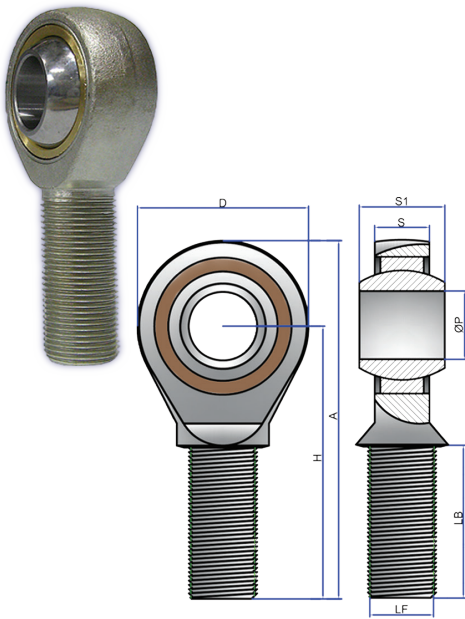


THREADED ENDS - TFE...PW SERIES

INSERT PLAIN BEARING
ISO12240-4 - SERIES K ISO6126
MAINTENANCE FREE
STEEL / PTFE COUPLING

ORDER CODE	P Ø(mm)	D (mm)	A (mm)	S (mm)	H (mm)	LF (mm)	S1 (mm)	LB (mm)	DYNAMIC LOAD (kn)	STATIC LOAD (kn)
TFE05PW	5	18	42	7.5	33	5 x 0.8	8	19	3.6	3.9
TFE06PW	6	20	46	7.5	36	6 x 1	9	21	4.7	5.2
TFE08PW	8	24	54	9.5	42	8 x 1.25	12	25	7.6	8.2
TFE10PW	10	30	63	11.5	48	10 x 1.5	14	28	12	15
TFE12PW	12	34	71	12.5	54	12 x 1.75	16	32	14	19
TFE14PW	14	38	79	14.5	60	14 x 2	19	36	19	24
TFE16PW	16	42	87	15.5	66	16 x 2	21	37	23	29
TFE18PW	18	46	95	17.5	72	18 x 1.5	23	41	29	34
TFE20PW	20	50	103	18.5	78	20 x 1.5	25	45	34	40
TFE22PW	22	56	112	21	84	22 x 1.5	28	48	42	50
TFE25PW	25	60	124	23	94	24 x 2	31	55	52	57
TFE28PW	28	66	136	26	103	27 x 2	35	62	66	69
TFE30PW	30	70	145	27	110	30 x 2	37	66	73	77



THREADED ENDS - SIZP...S / SAZP...S SERIES

SPHERICAL PLAIN BEARING
IMPERIAL 'UNF' THREAD
HARD CHROME
BRONZE COUPLING

ORDER CODE	P Ø(mm)	D (mm)	A (mm)	S (mm)	H (mm)	D1 (mm)	D2 (mm)	LF (unf)	S1 (mm)	LB (mm)	DYNAMIC LOAD (kn)	STATIC LOAD (kn)
SIZP04S	4.83	15.88	34.93	6.35	26.97	7.92	10.31	10-32	7.92	14.27	3.4	4.8
SIZP06S	6.35	19.05	42.85	7.14	33.32	9.53	11.91	1/4-282	9.53	19.05	4.5	7.7
SIZP07S	7.94	22.23	46.02	8.74	34.93	11.10	12.70	5/16-24	11.10	19.05	6.9	8.4
SIZP09S	9.53	25.40	53.98	10.31	41.28	14.27	17.45	3/8-24	12.70	23.80	9.4	10
SIZP11S	11.11	28.58	60.33	11.10	46.02	15.88	19.05	7/16-202	14.27	26.97	11	13
SIZP12S	12.70	33.20	70.64	12.70	53.98	19.05	22.23	1/2-20	15.88	30.15	15	19
SIZP15S	15.88	38.10	82.55	14.27	63.50	22.23	25.40	5/8-18	19.05	38.10	20	21
SIZP19S	19.05	44.45	95.25	17.45	73.03	25.40	28.58	3/4-16	22.23	44.45	29	29
SIZP25S	25.40	69.85	139.7	25.40	104.78	38.10	44.45	5/4-12	34.93	53.98	60	101

SAZP04S	4.83	15.88	39.7	6.35	31.75	-	-	10-32	7.92	19.05	3.4	3.8
SAZP06S	6.35	19.05	49.2	7.14	39.67	-	-	1/4-282	9.53	25.4	4.5	6.6
SAZP07S	7.94	22.23	58.72	8.74	47.63	-	-	5/16-24	11.10	31.75	6.9	8.4
SAZP09S	9.53	25.40	61.93	10.31	49.23	-	-	3/8-24	12.70	31.75	9.4	10
SAZP11S	11.11	28.58	68.28	11.10	53.98	-	-	7/16-202	14.27	34.93	11	13
SAZP12S	12.70	33.02	78.59	12.70	61.93	-	-	1/2-20	15.88	38.1	15	19
SAZP15S	15.88	38.10	85.73	14.27	66.68	-	-	5/8-18	19.05	41.28	20	21
SAZP19S	19.05	44.45	95.25	17.45	73.03	-	-	3/4-16	22.23	44.45	29	29
SAZP25S	25.40	69.85	139.70	25.40	104.78	-	-	5/4-12	34.93	53.98	60	101

