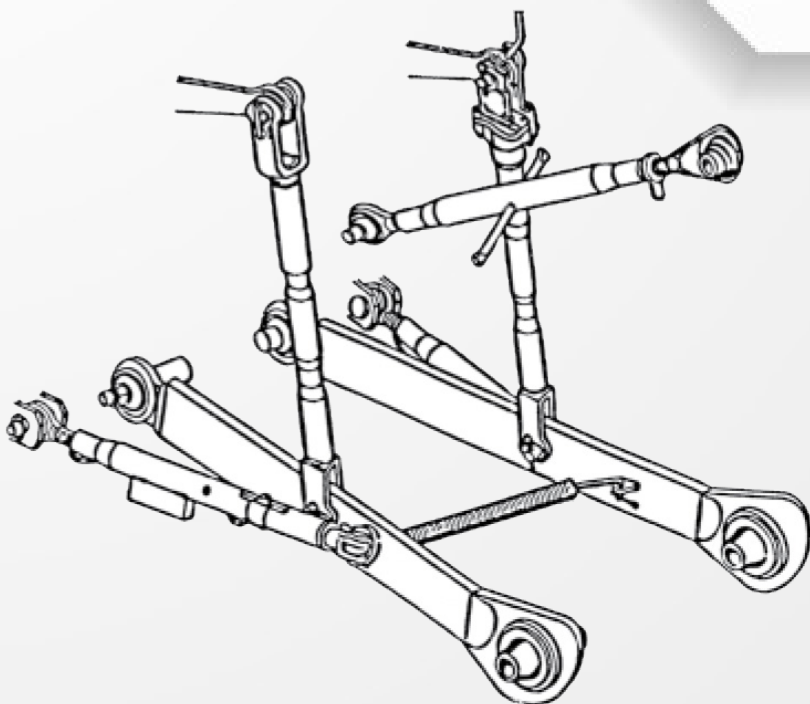
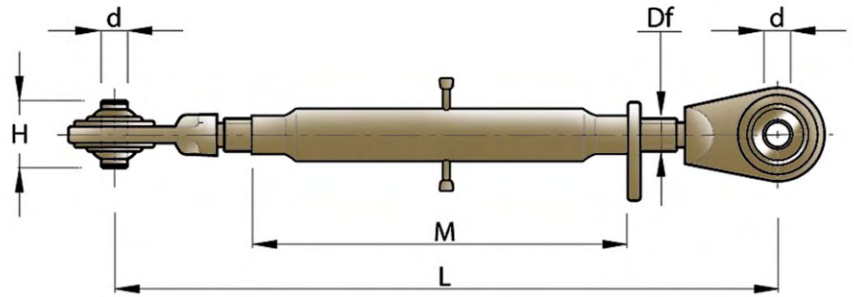


STEERFORTH

AGRICULTURAL TOPLINKS, PINS
AND LINKAGES

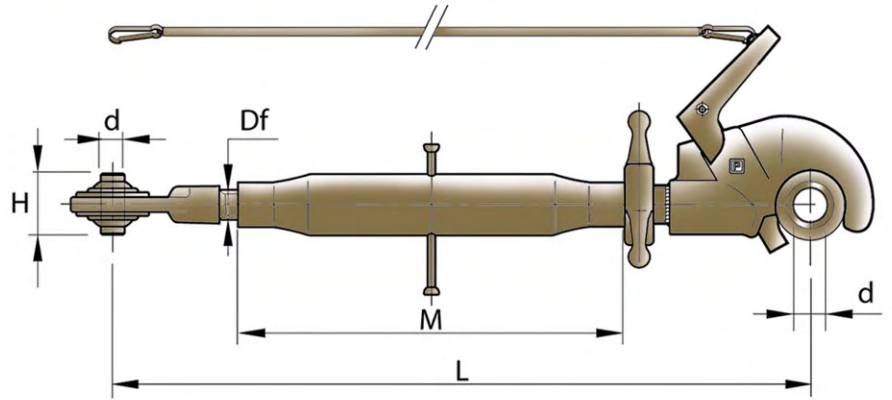


AGRICULTURAL LINKAGES



ORDER CODE	CAT.	d (A12)	H (h11)	Df	M	MIN.	MAX.	THREADED ROD		WEIGHT (Kgs)
								DX	SX	
3P 10005	1	19	44	M22X2.5	150	260	350	TF 10300 DX - TF 10310 SX	1.70	
3P 10010	1	19	44	M22X2.5	230	345	490	TF 10300 DX - TF 10310 SX	2.40	
3P 10020	1	19	44	M22X2.5	280	390	540	TF 10300 DX - TF 10310 SX	2.62	
3P 10030	1	19	44	M22X2.5	300	410	560	TF 10300 DX - TF 10310 SX	2.84	
3P 10040	1	19	44	M24X2.5	320	430	570	TF 10320 DX - TF 10330 SX	2.96	
3P 10050	1	19	44	M24X2.5	370	480	620	TF 10320 DX - TF 10330 SX	3.04	
3P 10060	1	19	44	M24X2.5	470	580	720	TF 10320 DX - TF 10330 SX	3.48	
3P 10065	1	19	44	M27X3	220	330	450	TF 10340 DX - TF 10350 SX	3.00	
3P 10070	1	19	44	M27X3	320	430	630	TF 10340 DX - TF 10350 SX	3.56	
3P 10080	1	19	44	M27X3	370	480	680	TF 10340 DX - TF 10350 SX	3.76	
3P 10083	1	19	44	M27X3	400	510	710	TF 10340 DX - TF 10350 SX	3.88	
3P 10085	1	19	44	M27X3	430	540	740	TF 10340 DX - TF 10350 SX	3.98	
3P 10090	1	19	44	M27X3	470	580	780	TF 10340 DX - TF 10350 SX	4.18	
3P 10100	1	19	44	M27X3	570	680	880	TF 10340 DX - TF 10350 SX	4.62	
3P 10110	1/2	19/25.4	44/51	M27X3	470	585	800	TF 10340 DX - TF 10390 SX	4.54	
3P 10115	2	25.4	51	M27X3	220	340	460	TF 10380 DX - TF 10390 SX	3.54	
3P 10120	2	25.4	51	M27X3	320	460	680	TF 10380 DX - TF 10390 SX	4.24	
3P 10125	2	25.4	51	M27X3	400	520	740	TF 10380 DX - TF 10390 SX	4.60	
3P 10130	2	25.4	51	M27X3	430	550	770	TF 10380 DX - TF 10390 SX	4.70	
3P 10132	2	25.4	51	M27X3	500	620	840	TF 10380 DX - TF 10390 SX	5.04	
3P 10135	2	25.4	51	M30X3	360	480	710	TF 10400 DX - TF 10410 SX	4.86	
3P 10138	2	25.4	51	M30X3	400	520	750	TF 10400 DX - TF 10410 SX	5.02	
3P 10140	2	25.4	51	M30X3	430	550	780	TF 10400 DX - TF 10410 SX	5.14	
3P 10150	2	25.4	51	M30X3	470	590	820	TF 10400 DX - TF 10410 SX	5.32	
3P 10155	2	25.4	51	M30X3	500	620	850	TF 10400 DX - TF 10410 SX	5.42	
3P 10160	2	25.4	51	M30X3	530	650	880	TF 10400 DX - TF 10410 SX	5.56	
3P 10170	2	25.4	51	M30X3	560	680	910	TF 10400 DX - TF 10410 SX	5.66	
3P 10180	2	25.4	51	M30X3	610	730	960	TF 10400 DX - TF 10410 SX	5.82	
3P 10190	2	25.4	51	M30X3	730	850	1080	TF 10400 DX - TF 10410 SX	6.38	
3P 10200	2	25.4	51	M36X3	400	525	740	TF 10420 DX - TF 10430 SX	6.82	
3P 10203	2	25.4	51	M36X3	460	585	800	TF 10420 DX - TF 10430 SX	7.28	
3P 10205	2	25.4	51	M36X3	520	645	860	TF 10420 DX - TF 10430 SX	7.62	
3P 10210	2	25.4	51	M36X3	570	695	910	TF 10420 DX - TF 10430 SX	8.14	
3P 10215	2	25.4	51	M36X3	400	555	840	TF 10440 DX - TF 10450 SX	9.42	
3P 10220	2/3	25.4/32	51/51	M36X3	400	555	840	TF 10440 DX - TF 10470 SX	9.32	
3P 10225	3	32	51	M36X3	460	615	900	TF 10460 DX - TF 10470 SX	9.68	
3P 10226	2	25.4	51	M40X3	500	635	860	TF 10475 DX - TF 10476 SX	9.10	
3P 10227	2	25.4	51	M40X3	620	755	980	TF 10475 DX - TF 10476 SX	9.84	

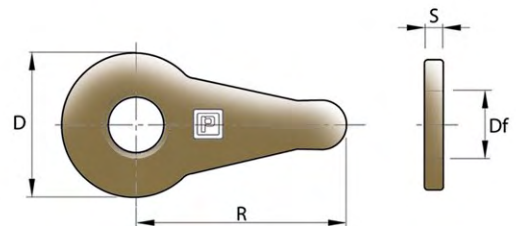
AGRICULTURAL LINKAGES



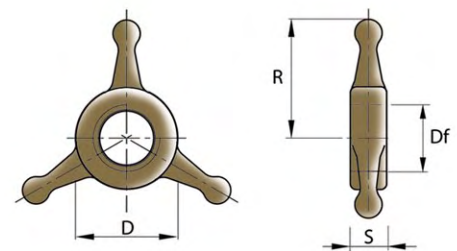
ORDER CODE	CAT.	d (A12)	H (h11)	Df	M	L		THREADED ROD LHS	HOOK "RAPID" RHS	WEIGHT (Kgs)
						MIN.	MAX			
3PR 10070	2	25.4	51	M27X3	320	530	740	TF 10390 SX	GR 10980	6.24
3PR 10080	2	25.4	51	M27X3	370	560	790	TF 10390 SX	GR 10980	6.48
3PR 10085	2	25.4	51	M27X3	430	610	860	TF 10390 SX	GR 10980	6.56
3PR 10090	2	25.4	51	M27X3	470	650	900	TF 10390 SX	GR 10980	6.78
3PR 10100	2	25.4	51	M27X3	570	750	1000	TF 10390 SX	GR 10980	7.24
3PR 10135	2	25.4	51	M30X3	360	550	790	TF 10410 SX	GR 10981	6.90
3PR 10140	2	25.4	51	M30X3	430	610	850	TF 10410 SX	GR 10981	7.18
3PR 10150	2	25.4	51	M30X3	470	650	890	TF 10410 SX	GR 10981	7.36
3PR 10160	2	25.4	51	M30X3	530	710	950	TF 10410 SX	GR 10981	7.60
3PR 10170	2	25.4	51	M30X3	560	740	980	TF 10410 SX	GR 10981	7.70
3PR 10180	2	25.4	51	M30X3	610	790	1030	TF 10410 SX	GR 10981	7.86
3PR 10190	2	25.4	51	M30X3	730	910	1150	TF 10410 SX	GR 10981	8.42
3PR 10200	2	25.4	51	M36X3	400	610	840	TF 10430 SX	GR 10971	8.92
3PR 10224	2	25.4	51	M36X3	460	670	900	TF 10430 SX	GR 10971	9.38
3PR 10205	2	25.4	51	M36X3	520	730	960	TF 10430 SX	GR 10971	9.72
3PR 10210	2	25.4	51	M36X3	570	780	1010	TF 10430 SX	GR 10971	10.24
3PR 10220	3	32	51	M36X3	400	630	900	TF 10470 SX	GR 10972	12.41
3PR 10225	3	32	51	M36X3	460	690	960	TF 10470 SX	GR 10972	12.87
3PR 10206	3	32	51	M36X3	520	750	1020	TF 10470 SX	GR 10972	13.20
3PR 10211	3	32	51	M36X3	570	800	1070	TF 10470 SX	GR 10972	13.72
3PR 10226	2	25.4	51	M40X3	500	710	970	TF 10476 SX	GR 10973	13.20
3PR 10227	2	25.4	51	M40X3	620	830	1090	TF 10476 SX	GR 10973	13.94

TOPLINK LOCK NUT

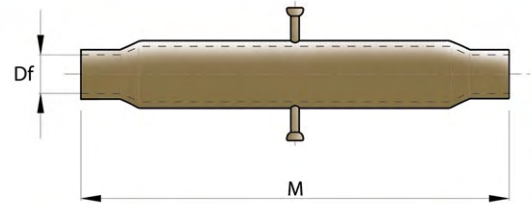
ORDER CODE		Df	D	R	S	WEIGHT (kgs)
CA 22	WING COLLAR	M22X2.5	45	60	6	0.10
CA 24	WING COLLAR	M24X2.5	45	60	6	0.10
CA 23	WING COLLAR	M24X3	45	60	6	0.10
CA 25	WING COLLAR	M27X3	45	60	6	0.09
CA 26	WING COLLAR	M30X3	45	60	6	0.08
CA 38	WING COLLAR	M30X3.5	45	60	6	0.08
CA 27	WING COLLAR	M36X3	60	88	10	0.26
CA 28	WING COLLAR	M40X3	60	88	10	0.24



ORDER CODE	MOD.	Df	D	R	S	WEIGHT (kgs)
CS 29	STAR COLLAR	M22X2.5	34	30	12	0.06
CS 30	STAR COLLAR	M24X2.5	34	30	12	0.06
CS 35	STAR COLLAR	M24X3	34	30	12	0.06
CS 31	STAR COLLAR	M27X3	40	45	18	0.15
CS 32	STAR COLLAR	M30X3	40	45	18	0.14
CS 36	STAR COLLAR	M30X3.5	40	45	18	0.14
CS 33	STAR COLLAR	M36X3	52	45	18	0.17
CS 34	STAR COLLAR	M40X3	52	45	18	0.16



3rd POINT TUBE

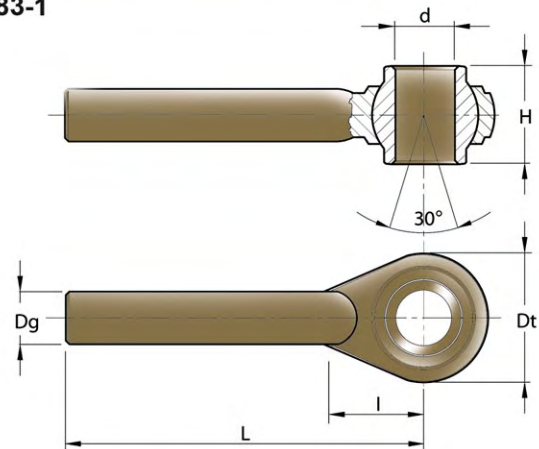


ORDER CODE	M	Df	WEIGHT (kgs)
M3P 010	230	M22X2,5	0.90
M3P 020	280	M22X2,5	1.10
M3P 030	300	M22X2,5	1.32
M3P 040	320	M24X2,5	1.22
M3P 050	370	M24X2,5	1.30
M3P 060	470	M24X2,5	1.74
M3P 065	220	M27X3	0.92
M3P 070	320	M27X3	1.26
M3P 080	370	M27X3	1.50
M3P 083	400	M27X3	1.60
M3P 085	430	M27X3	1.68
M3P 090	470	M27X3	1.90
M3P 132	500	M27X3	2.02
M3P 100	570	M27X3	2.36

ORDER CODE	M	Df	WEIGHT (kgs)
M3P 135	360	M30X3	1.54
M3P 138	400	M30X3	1.70
M3P 140	430	M30X3	1.82
M3P 150	470	M30X3	2.00
M3P 155	500	M30X3	2.10
M3P 160	530	M30X3	2.24
M3P 170	560	M30X3	2.34
M3P 180	610	M30X3	2.50
M3P 190	730	M30X3	3.06
M3P 200	400	M36X3	2.28
M3P 225	460	M36X3	2.74
M3P 205	520	M36X3	3.08
M3P 210	570	M36X3	3.60
M3P 226	500	M40X3	3.28
M3P 227	620	M40X3	4.02

BALL JOINT TERMINAL WITH ROUND STEM

STEEL ON STEEL COUPLING - ROD END STEEL C40 UNI EN 10083-1

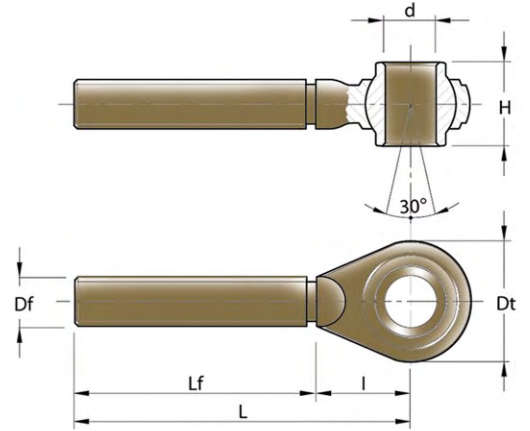


ORDER CODE	CAT.	d (A12)	H (h11)	Dg (Ø)	L	I	Dt	WEIGHT (kgs)
TGG 10305	1	19	44	20	165	50	58	0.71
TGG 10312	1	19	44	22	165	50	58	0.82
TGG 10325	1	19	44	25	165	50	62	0.98
TGG 10342	1	19	44	25	205	50	58	1.14
TGG 10341	1	19	44	27	205	50	62	1.38
TGG 10343	1	19	44	29	225	50	62	1.50
TGG 10394	2	25.4	51	28	220	55	75	1.64
TGG 10395	2	25.4	51	30	220	55	75	1.76
TGG 10425	2	25.4	51	36	220	55	80	2.32
TGG 10445	2	25.4	51	37	270	75	96	3.80
TGG 10455	3	32	51	37	270	75	96	3.70
TGG 10474	2	25.4	51	43	230	60	80	3.20

END ASSEMBLIES



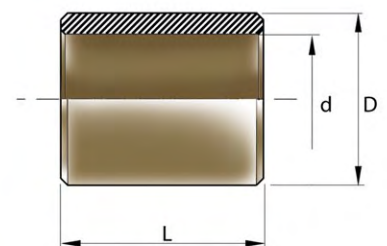
STEEL ON STEEL COUPLING - ROD END STEEL C40 UNI EN 10083-1



ORDER CODE	CAT.	d (A12)	H (h11)	Df	L	Lf	I	Dt	WEIGHT (kgs)
TF 10300 DX	1	19	44	M22X2.5	165	115	50	58	0.71
TF 10310 SX	1	19	44	M22X2.5	165	115	50	58	0.71
TF 10320 DX	1	19	44	M24X2.5	165	115	50	58	0.82
TF 10330 SX	1	19	44	M24X2.5	165	115	50	58	0.82
TF 10321 DX	1	19	44	M24X2.5	165	115	50	62	0.85
TF 10322 SX	1	19	44	M24X2.5	165	115	50	62	0.85
TF 10333 DX	1	19	44	M24X3	165	115	50	62	0.86
TF 10334 SX	1	19	44	M24X3	165	115	50	62	0.86
TF 10338 DX	1	19	44	M24X3	205	155	50	62	0.98
TF 10339 SX	1	19	44	M24X3	205	155	50	62	0.98
TF 10335 DX	2	25.4	51	M24X3	220	165	55	75	1.32
TF 10336 SX	2	25.4	51	M24X3	220	165	55	75	1.32
TF 10340 DX	1	19	44	M27X3	205	155	50	58	1.08
TF 10350 SX	1	19	44	M27X3	205	155	50	58	1.08
TF 10345 DX	1	19	44	M27X3	205	155	50	62	1.12
TF 10346 SX	1	19	44	M27X3	205	155	50	62	1.12
TF 10380 DX	2	25.4	51	M27X3	220	165	55	75	1.44
TF 10390 SX	2	25.4	51	M27X3	220	165	55	75	1.44
TF 10355 DX	1	19	44	M30X3	225	175	50	62	1.36
TF 10356 SX	1	19	44	M30X3	225	175	50	62	1.36
TF 10400 DX	2	25.4	51	M30X3	220	165	55	75	1.62
TF 10410 SX	2	25.4	51	M30X3	220	165	55	75	1.62
TF 10358 DX	1	19	44	M30X3.5	225	175	50	62	1.34
TF 10359 SX	1	19	44	M30X3.5	225	175	50	62	1.34
TF 10415 DX	2	25.4	51	M30X3.5	220	165	55	75	1.60
TF 10416 SX	2	25.4	51	M30X3.5	220	165	55	75	1.60
TF 10420 DX	2	25.4	51	M36X3	220	165	55	80	2.14
TF 10430 SX	2	25.4	51	M36X3	220	165	55	80	2.14
TF 10440 DX	2	25.4	51	M36X3	270	200	70	96	3.44
TF 10450 SX	2	25.4	51	M36X3	270	200	70	96	3.44
TF 10460 DX	3	32	51	M36X3	270	200	70	96	3.34
TF10470 SX	3	32	51	M36X3	270	200	70	96	3.34
TF 10475 DX	2	25.4	51	M40X3	230	170	60	80	2.74
TF 10476 SX	2	25.4	51	M40X3	230	170	60	80	2.74

CONVERSION BUSHES

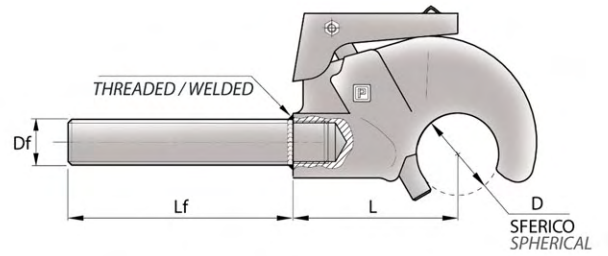
ORDER CODE	CAT.	D	d	L	APPLICATION	WEIGHT (kgs)
BP 11225	3/2	37	28.4	44	LOWER LIFTING ARM	0.13
BP 11230	2/1	28.4	22.1	44	LOWER LIFTING ARM	0.08
BP 11240	2/1	25.4	19	51	TOPLINK	0.08
BP 11245	3/2	32	25.4	51	TOPLINK	0.12



THREADED TOP LINK AUTOMATIC HITCH



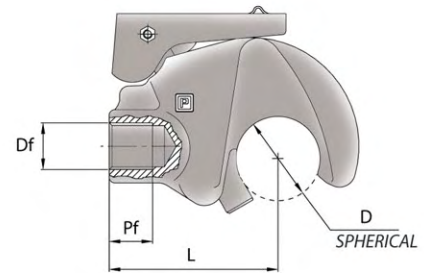
ORDER CODE	CAT.	D	Df (DX-RHS)	Lf	L	WEIGHT (kgs)
GR 10980	2	50	M27X3	180	105	2.74
GR 10981	2	50	M30X3	180	105	2.96
GR 10967	2	50	M30X3.5	180	105	2.96
GR 10971	2	50	M36X3	180	105	3.40
GR 10978	3/2	60	M30X3	180	132	5.36
GR 10968	3/2	60	M30X3.5	180	132	5.36
GR 10972	3/2	60	M36X3	180	132	5.78
GR 10973	3/2	60	M40X3	180	132	6.08



WELD ON TOPLINK AUTOMATIC HITCH

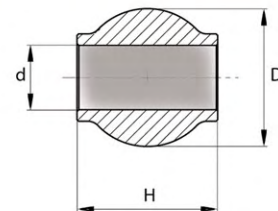
ORDER CODE	CAT.	D	L	Df (DX-RHS)	Pf	WEIGHT (kgs)
GR 10975	2	50	105	Ø20mm BORE	15	2.02
GR 10976	2	50	105	M20X1.5	25	1.96
GR 10969	2	50	105	M27X2	25	2.10
*GR 10974	2	50	105	M30X2	25	2.30
GR 10977	3/2	60	132	Ø20mm BORE	25	4.50
GR 10979	3/2	60	132	M27X2	45	4.24
** GR 10970	3/2	60	132	M36X2	45	4.04

* - M24x2 AVAILABLE ON REQUEST
 ** - M30x2 AVAILABLE ON REQUEST



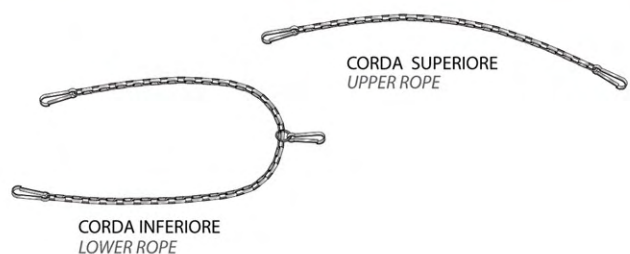
SWIVEL BALL FOR UPPER AUTOMATIC HITCH

ORDER CODE	CAT.	d (A12)	D	H (h11)	WEIGHT (kgs)
SF 10989	1	19	50	51	0.42
SF 10985	2	25.4	50	51	0.34
SF 10987	3/2	25.4	60	51	0.64
SF 10988	3	32	60	51	0.54

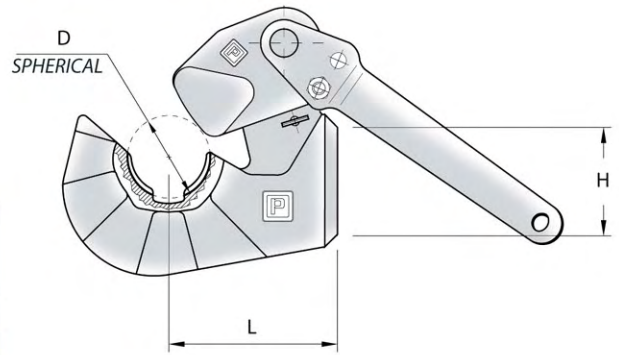


CONTROL WIRE FOR UPPER & LOWER AUTOMATIC HITCH

ORDER CODE	TOTAL LENGTH (mm)
CGS 10997	UPPER - 1500
CGI 10996	LOWER - 4400



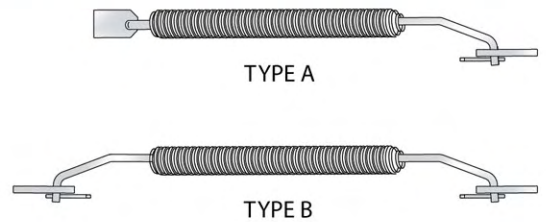
LOWER HITCH POINT



ORDER CODE	HITCH	CAT.	D	INNER BALL Ø	L	H	WEIGHT (kgs)
GID 10982	DX	2	56	28.4	108	80	4.56
GIS 10986	SX	2	56	28.4	108	80	4.56
GID 10983	DX	3	64	37	120	90	6.10
GIS 10984	SX	3	64	37	120	90	6.10

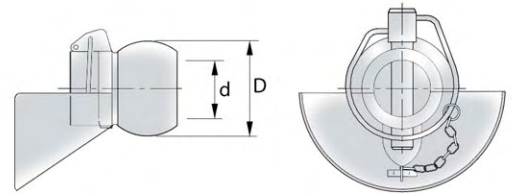
ADJUSTABLE SPACER - SPRING FOR LOWER ARM

ORDER CODE	CAT.	LENGTH (mm)		TYPE	WEIGHT (kgs)
		MIN.	MAX.		
DM 10965	2	500	720	A	1.90
DM 10966	3	600	900	B	2.38



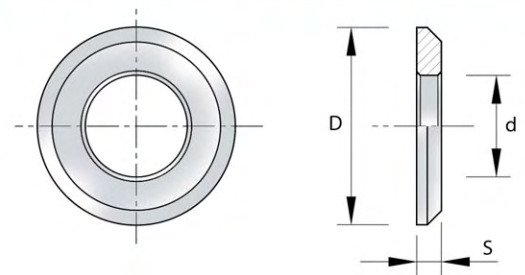
GUIDANCE CONES WITH SWIVEL BALL AND TRIP SPIN PIN

ORDER CODE	CAT.	d (A12)	D	WEIGHT (kgs)
CR 10990	2	28.4	56	0.92
CR 10991	3/2	28.4	64	1.18
CR 10992	3	37	64	0.96



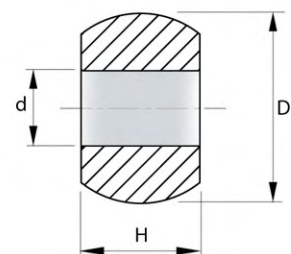
SPACING FOR SWIVEL BALLS WITHOUT CONES

ORDER CODE	CAT.	d (A12)	D	S	WEIGHT (kgs)
SS 10955	2	28.4	56	7	0.10
SS 10956	3/2	28.4	64	7	0.13
SS 10957	3	37	64	7	0.10



SWIVEL BALLS WITHOUT GUIDANCE CONES FOR LOWER HITCH POINT

ORDER CODE	CAT.	d (A12)	D	H (h11)	WEIGHT (kgs)
SF 10999	2/1	22.1	56	45	0.80
SF 10993	2	28.4	56	45	0.44
SF 10994	3/2	28.4	64	45	0.72
SF 10998	3	37	64	45	0.56
SF 10995	-	38	64	45	0.56

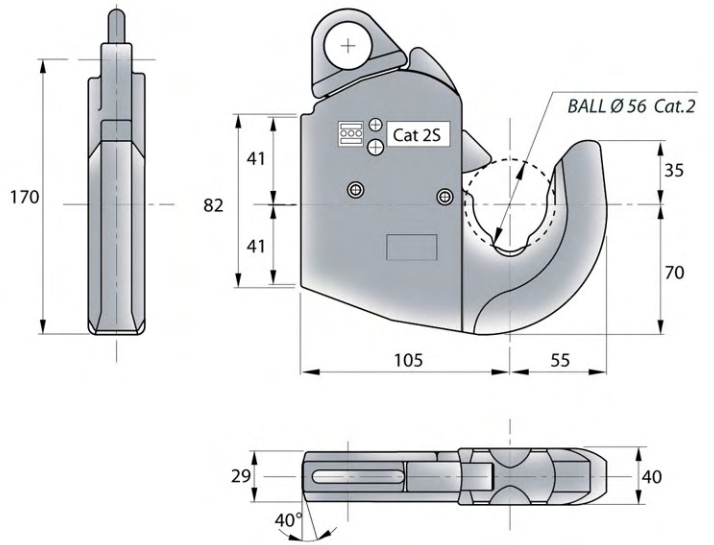


AUTOMATIC TOP LINK HOOKS FOR LOWER SIDES



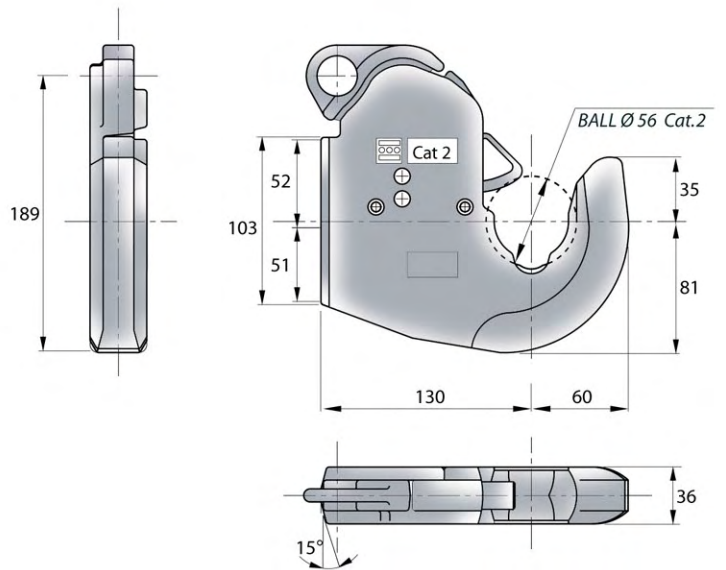
AUTOMATIC TOP LINK CAT. 2 S

ORDER CODE
GI - 2S



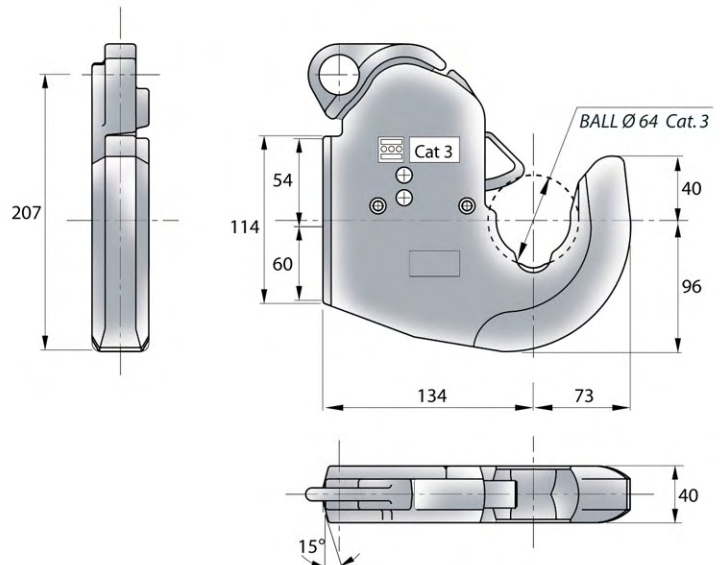
AUTOMATIC TOP LINK HOOKS POSITION OF THE HARDENED BALL AT HIGH FREQUENCY

ORDER CODE
GI - 2



AUTOMATIC TOP LINK HOOKS POSITION OF THE HARDENED BALL AT HIGH FREQUENCY

ORDER CODE
GI - 3



QUICK COUPLING SET



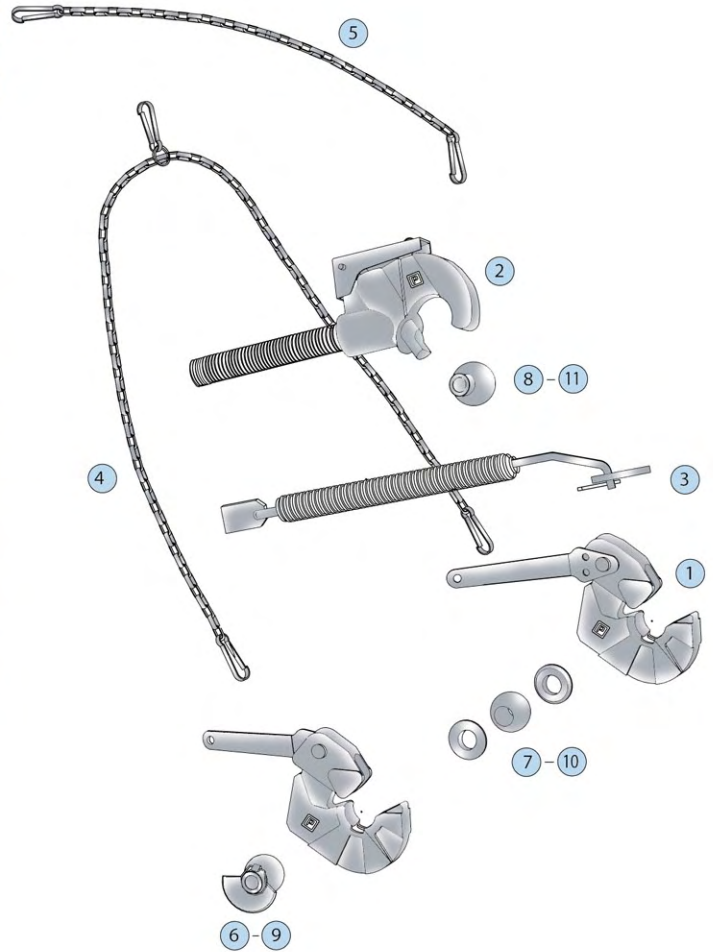
KIT COMPOSITION

KIT CATEGORY 2

POS.	DESCRIPTION	N.
1	LOWER HITCH "RAPID" RHS + LHS	1+1
2	UPPER HITCH "RAPID" THREAD - M27x3 / M30x3 / M36x3	1
3	ADJUSTABLE DISTANCE PIECE	1
4	LOWER HITCH CONTROL ROPE	1
5	UPPER HITCH CONTROL ROPE	1
6	SWIVEL BALL WITH CHAMFER	2
7	SWIVEL BALL WITH DISTANCE RINGS	2
8	SWIVEL BALL FOR UPPER HITCH	1

KIT CATEGORY 2 AND 3

POS.	DESCRIPTION	N.
1	LOWER HITCH "RAPID" RHS + LHS	1+1
2	UPPER HITCH "RAPID" THREAD - M27x3 / M30x3 / M36x3	1
3	ADJUSTABLE DISTANCE PIECE	1
4	LOWER HITCH CONTROL ROPE	1
5	UPPER HITCH CONTROL ROPE	1
6	SWIVEL BALL WITH CHAMFER - CAT.2	2
7	SWIVEL BALL WITH DISTANCE RINGS - CAT.2	2
8	SWIVEL BALL FOR UPPER HITCH - CAT.2	1
9	SWIVEL BALL WITH CHAMFER - CAT.3	2
10	SWIVEL BALL WITH DISTANCE RINGS - CAT.3	2
11	SWIVEL BALL FOR UPPER HITCH - CAT.3	1



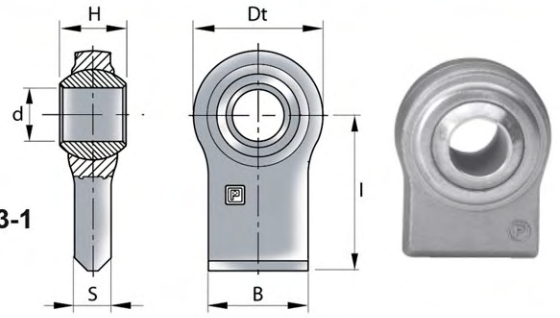
PLEASE, FOR YOUR ORDERS TAKE THE FOLLOWING TABLE:

ORDER CODE	CAT. KIT	THREAD UPPER HITCH - RAPID
KAR 16	2	M27X3
KAR 17	2	M30X3
KAR 18	2	M36X3
KAR 19	3/2	M30X3
KAR 20	3/2	M36X3
KAR 21	3/2	M40X3

BALL JOINT TERMINAL WITH RECTANGULAR END



STEEL ON STEEL COUPLING - ROD END STEEL C40 UNI EN 10083-1



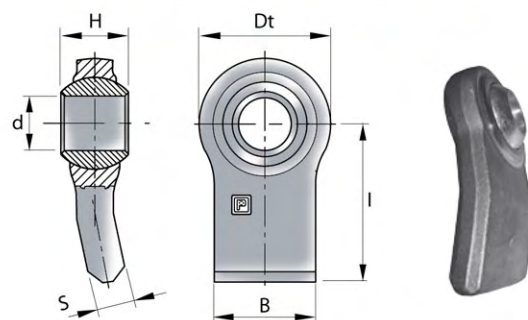
TYPE A

ORDER CODE	CAT.	d (A12)	H (h11)	B	S	Dt	I	TYPE	WEIGHT (Kgs)
SR 10490	-	14	32	30	11	46	60	A	0.30
SR 10495	-	16	20	30	11	46	60	A	0.27
SR 10496	-	19	44	52	17	52	50	A	0.46
SR 10494	-	18	35	50	15	65	43	A	0.58
SR 10497	-	19	35	50	15	65	43	A	0.56
SR 10498	1	22.1	35	50	15	65	43	A	0.54
SR 10501	1	22.1	35	50	15	68	90	A	0.92
SR 10503	1	22.1	35	55	15	66	70	A	0.70
SR 10506	-	25.4	38	70	18	78	80	A	1.14
SR 10507	2	28.4	38	70	18	78	80	A	1.10
SR 10510	1	22.1	35	70	18	76	50	A	0.82
SR 10515	-	25.4	35	70	18	76	50	A	0.78
SR 10520	-	26	35	70	18	76	50	A	0.78
SR 10530	2	28.4	35	70	18	76	50	A	0.76
SR 10540	1	22.1	35	70	19	83	55	A	1.18
SR 10550	-	25.4	35	70	19	83	55	A	1.16
SR 10560	2	28.4	35	70	19	83	55	A	1.12
SR 10562	2	28.4	45	70	19	83	55	A	1.16
SR 10564	2	28.4	45	70	20	82	55	A	1.22
SR 10566	-	25.4	38	70	23	80	80	A	1.56
SR 10568	2	28.4	38	70	23	80	80	A	1.52
SR 10575	2	28.4	45	70	23	80	80	A	1.54
SR 10569	-	25.4	45	70	22	80	65	A	1.36
SR 10570	2	28.4	45	70	22	80	65	A	1.32
SR 10590	1/2	22.1/28.4	45	70	22	80	65	A	1.22
SR 10579	2	28.4	45	76	17	90	82	A	1.48
SR 10580	2	28.4	45	70	22	96	65	A	1.70
SR 10597	-	32	45	70	22	96	65	A	1.66
SR 10600	-	34	45	70	22	96	65	A	1.62
SR 10602	-	35	45	70	22	96	65	A	1.60
SR 10604	3	37	45	70	22	96	65	A	1.56
SR 10610	-	38	45	80	24	108	65	A	1.96
SR 10612	-	34	45	80	24	108	65	A	2.04
SR 10614	3	37	45	80	24	108	65	A	1.98
SR 10615	2	28.4	45	80	24	108	65	A	2.16
SR 10616	-	35	45	80	24	108	65	A	2.00
SR 10617	-	42	45	80	24	108	65	A	1.88
SR 10636	2	28.4	45	94	30	94	86	A	2.58
SR 10637	-	38	45	94	30	94	86	A	2.38

BALL JOINT TERMINAL WITH RECTANGULAR END



STEEL ON STEEL COUPLING
ROD END STEEL C40 UNI EN 10083-1

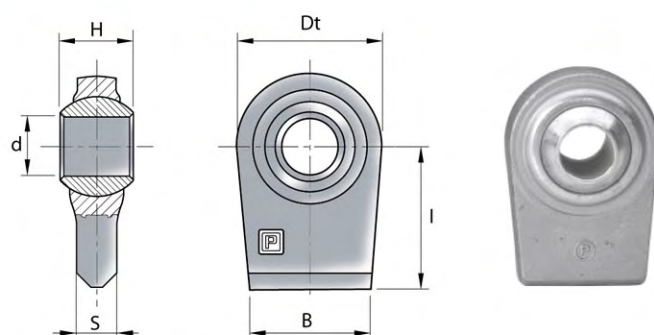


TYPE B

ORDER CODE	CAT.	d (A12)	H (h11)	B	S	Dt	I	TYPE	WEIGHT (kgs)
SR 10508	1	22.1	35	60	15	68	90	B	0.98
SR 10585	2	28.4	45	70	21	83	110	B	1.84

WELD ON SWIVEL BALL ENDS

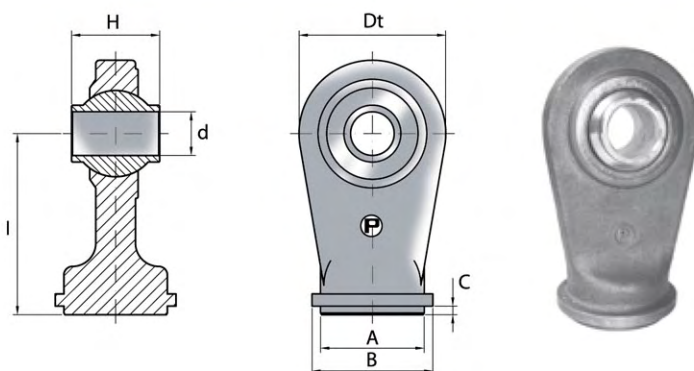
STEEL ON STEEL COUPLING
ROD END STEEL C40 UNI EN 10083-1



ORDER CODE	CAT.	d (A12)	H (h11)	B	S	Dt	I	WEIGHT (kgs)
SR 10499	-	19	35	60	18	67	50	0.74
SR 10500	1	22.1	35	60	18	67	50	0.72
SR 10505	1	22.1	35	58	18	67	75	0.94
SR 10576	2	28.4	45	70	18	85	80	1.44
SR 10577	1/2	22.1/28.4	45	70	18	85	80	1.34
SR 10578	2	28.4	35	70	18	85	80	1.40

BALL JOINT TERMINAL WITH WELDABLE BULKHEAD

STEEL ON STEEL COUPLING
ROD END STEEL C40 UNI EN 10083-1

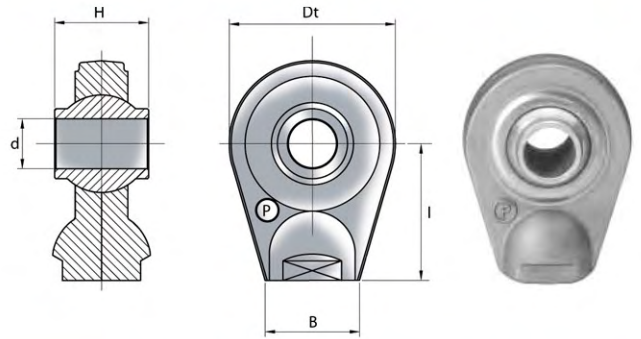


ORDER CODE	d (A12)	H (h11)	A (Ø)	B (Ø)	C	Dt	I	NOTE	WEIGHT (kgs)
SR 106025	25.4	51	60	70	5	85	105	FLAT BASE	2.25
SR 106325	25.4	51	63	73	5	85	105	FLAT BASE	2.28
SR 107025	25.4	51	70	80	5	85	105	FLAT BASE	2.36

BALL JOINT TERMINAL WITH WELDABLE ROUND END



**STEEL ON STEEL COUPLING
ROD END STEEL C40 UNI EN 10083-1**



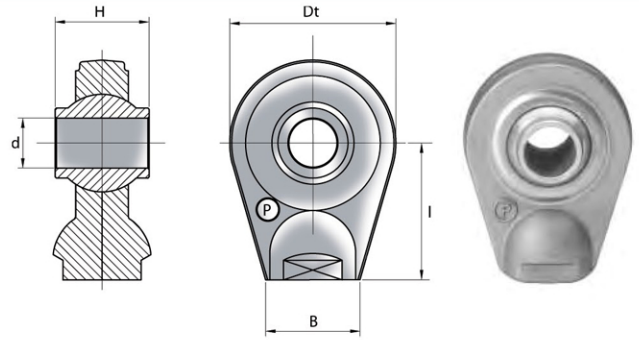
ORDER CODE	CAT.	d (A12)	H (h11)	B (Ø)	Dt	I	Df	Pf	NOTE	WEIGHT (kgs)
SR 10705	1	19	44	30	62	50	-	-	FLAT BASE	0.54
SR 10707	-	22.1	44	34	62	58	-	-	FLAT BASE	0.58
SR 10708	1	19	44	34	62	58	-	-	FLAT BASE	0.60
SR 10709	-	20	44	34	62	58	-	-	FLAT BASE	0.59
SR 10710	1	19	44	34	62	60	-	-	FLAT BASE	0.62
SR 10712	-	22.1	44	34	62	60	-	-	FLAT BASE	0.60
SR 10720	-	20	44	34	62	60	-	-	FLAT BASE	0.61
SR 10724	1	19	35	26	62	50	-	-	FLAT BASE	0.54
SR 10725	-	22.1	35	26	62	50	-	-	FLAT BASE	0.52
SR 10727	1	19	35	30	70	46	-	-	FLAT BASE	0.64
SR 10730	-	22.1	51	38	75	65	-	-	FLAT BASE	0.98
SR 10735	2	25.4	40	38	75	65	-	-	FLAT BASE	0.90
SR 10737	1	19	51	38	75	65	-	-	FLAT BASE	1.02
SR 10739	-	30	51	38	75	65	-	-	FLAT BASE	0.88
SR 10740	2	25.4	51	38	75	65	-	-	FLAT BASE	0.94
SR 10741	2	25.4	51	31	75	70	-	-	FLAT BASE	0.90
SR 10742	2	25.4	51	45	72	70	-	-	FLAT BASE	1.14
SR 10744	1	19	51	45	72	70	-	-	FLAT BASE	1.22
SR 10746	-	22.1	51	45	72	70	-	-	FLAT BASE	1.18
SR 10748	-	30	51	45	72	70	-	-	FLAT BASE	1.08
SR 10756	-	22.1	51	50	85	70	-	-	FLAT BASE	1.64
SR 10759	1	19	51	50	85	70	-	-	FLAT BASE	1.68
SR 10760	2	25.4	51	50	85	70	-	-	FLAT BASE	1.62
SR 10780	-	30	51	50	85	70	-	-	FLAT BASE	1.56
SR 10791	2	25.4	51	40	90	85	-	-	FLAT BASE	1.68
SR 10792	-	30	51	40	90	85	-	-	FLAT BASE	1.64
SR 10793	3	32	51	40	90	85	-	-	FLAT BASE	1.58
SR 10795	-	35	55	40	90	85	-	-	FLAT BASE	1.52
SR 10796	1/2	19/25.4	45X45	40	90	85	-	-	FLAT BASE	1.56
SR 10750	2	25.4	51	50	83	65	-	-	FLAT BASE	1.38
SR 10800	-	29	55	50	83	65	-	-	FLAT BASE	1.38
SR 10805	-	30	42	50	83	65	-	-	FLAT BASE	1.30
SR 10807	3	32	51	50	83	65	-	-	FLAT BASE	1.30
SR 10810	-	30	55	50	83	65	-	-	FLAT BASE	1.36
SR 10812	-	35	35	50	83	65	-	-	FLAT BASE	1.20
SR 10815	-	35	55	50	83	65	-	-	FLAT BASE	1.24
SR 10816	-	29	55	50	92	65	-	-	FLAT BASE	1.60
SR 10817	-	30	55	50	92	65	-	-	FLAT BASE	1.58
SR 10818	-	30	42	50	92	65	-	-	FLAT BASE	1.52
SR 10825	3	32	51	50	92	65	-	-	FLAT BASE	1.54
SR 10819	-	35	35	50	92	65	-	-	FLAT BASE	1.42
SR10821	-	40	75	58	108	60	-	-	FLAT BASE	2.76
SR 10841	-	45	75	58	108	60	-	-	FLAT BASE	2.56
SR 10861	-	50	75	58	108	60	-	-	FLAT BASE	2.36
SR 10820	-	40	75	60	108	85	-	-	FLAT BASE	3.42
SR 10840	-	45	75	60	108	85	-	-	FLAT BASE	3.22
SR 10860	-	50	75	60	108	85	-	-	FLAT BASE	3.02

RECTIFIED HOLE (d) REQUEST

BALL JOINT TERMINAL WITH WELDABLE ROUND END



STEEL ON STEEL COUPLING
ROD END STEEL C40 UNI EN 10083-1

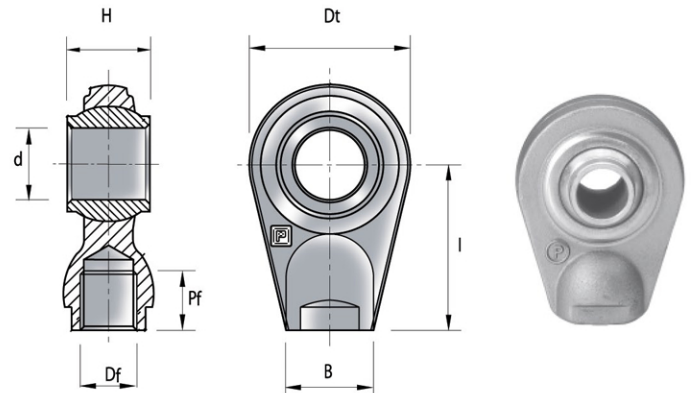


ORDER CODE	CAT.	d (A12)	H (h11)	B (Ø)	Dt	l	Df	Pf	NOTE	WEIGHT (kgs)
SR 10693	-	14	44	25	55	50	-	-	ROUGH BASE	0.46
SR 10694	1	19	30	25	55	50	-	-	ROUGH BASE	0.40
SR 10695	1	19	44	25	55	50	-	-	ROUGH BASE	0.42
SR 10696	-	20	44	25	55	50	-	-	ROUGH BASE	0.41
SR 10697	1	19	44	26	55	65	-	-	ROUGH BASE	0.50

RECTIFIED HOLE (d) REQUEST

BALL JOINT TERMINAL WITH ROUND END & INNER THREAD

STEEL ON STEEL COUPLING
ROD END STEEL C40 UNI EN 10083-1

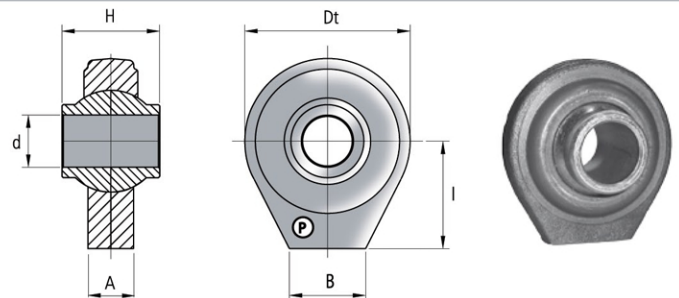


ORDER CODE	CAT.	d (A12)	H (h11)	B (Ø)	Dt	l	Df	Pf	NOTE	WEIGHT (kgs)
SR 10768	-	22.1	51	50	85	70	M27X2	27	FLAT BASE	1.50
SR 10769	1	19	51	50	85	70	M27X2	27	FLAT BASE	1.54
SR 10770	2	25.4	51	50	85	70	M27X2	27	FLAT BASE	1.46
SR 10790	-	30	51	50	85	70	M27X2	27	FLAT BASE	1.40
SR 10794	3	32	51	40	90	85	M27X2	27	FLAT BASE	1.44
SR 10830	-	40	75	60	108	85	M38X2	28	FLAT BASE	3.10
SR 10850	-	45	75	60	108	85	M38X2	28	FLAT BASE	2.90
SR 10870	-	50	75	60	108	85	M38X2	28	FLAT BASE	2.70

RECTIFIED HOLE (d) REQUEST

BALL JOINT TERMINAL WITH WELDABLE RECTANGULAR END

STEEL ON STEEL COUPLING
ROD END STEEL C40 UNI EN 10083-1



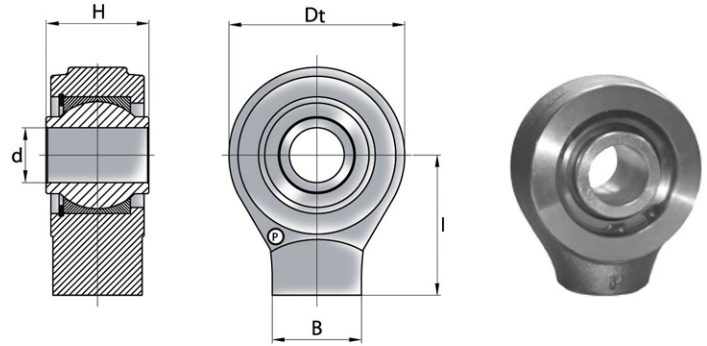
ORDER CODE	CAT.	d (A12)	H (h11)	BxA	Dt	l	Df	Pf	NOTE	WEIGHT (kgs)
SR 10700	1	19	44	30X13	62	34	-	-	ROUGH BASE	0.44
SR 10702	-	20	44	30X13	62	34	-	-	ROUGH BASE	0.43
SR 10704	-	22.1	44	30X13	62	34	-	-	ROUGH BASE	0.42

RECTIFIED HOLE (d) REQUEST

BALL JOINT TERMINAL WITH WELDABLE ROUND END



**STEEL ON STEEL COUPLING
ROD END STEEL C40 UNI EN 10083-1**



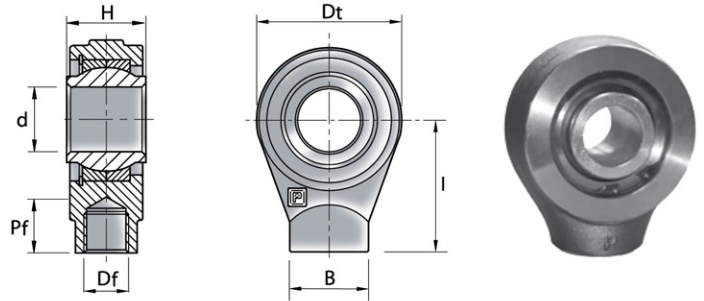
(*)WITH TWO SEATINGS TRANSFERRED ADJUSTABLE

ORDER CODE	CAT.	d (A12)	H (h11)	B (Ø)	Dt	l	Df	Pf	NOTE	WEIGHT (kgs)
SR 10871 (*)	-	40	75	65	128	85	-	-	FLAT BASE	6.38
SR 10872 (*)	-	45	75	65	128	85	-	-	FLAT BASE	6.18
SR 10873 (*)	-	50	75	65	128	85	-	-	FLAT BASE	5.98

RECTIFIED HOLE (d) REQUEST

BALL JOINT TERMINAL WITH ROUND END & INNER THREAD

**STEEL ON STEEL COUPLING
ROD END STEEL C40 UNI EN 10083-1**



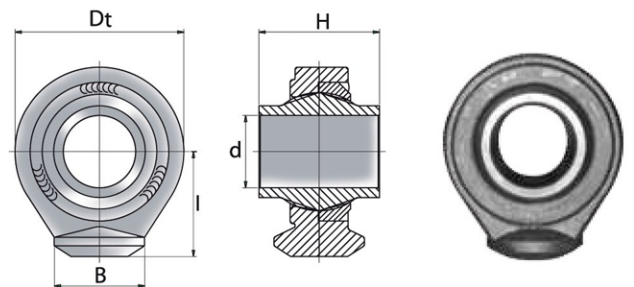
(*)WITH TWO SEATINGS TRANSFERRED ADJUSTABLE

ORDER CODE	CAT.	d (A12)	H (h11)	B (Ø)	Dt	l	Df	Pf	NOTE	WEIGHT (kgs)
SR 10874 (*)	-	40	75	65	128	85	M38X2	28	FLAT BASE	6.16
SR 10875 (*)	-	45	75	65	128	85	M38X2	28	FLAT BASE	5.96
SR 10876 (*)	-	50	75	65	128	85	M38X2	28	FLAT BASE	5.76

RECTIFIED HOLE (d) REQUEST

BALL JOINT TERMINAL WITH WELDABLE RECTANGULAR END

**STEEL ON STEEL COUPLING
ROD END STEEL C40 UNI EN 10083-1**

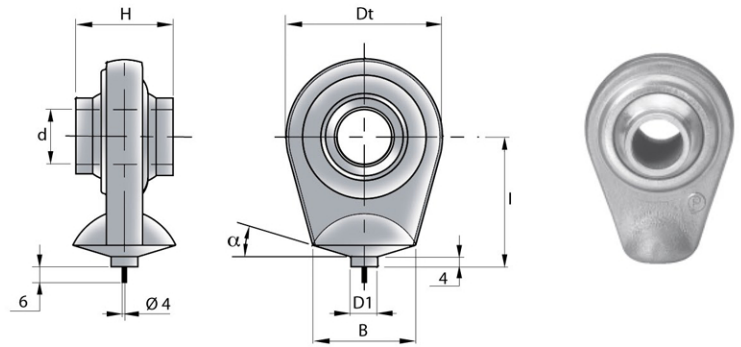


ORDER CODE	CAT.	d (A12)	H (h11)	B (Ø)	Dt	l	Df	Pf	NOTE	WEIGHT (kgs)
SR 10880	-	60 (H7)	100	75	140	87	-	-	FLAT BASE	5.66

BALL JOINT TERMINAL WITH WELDABLE ROUND END



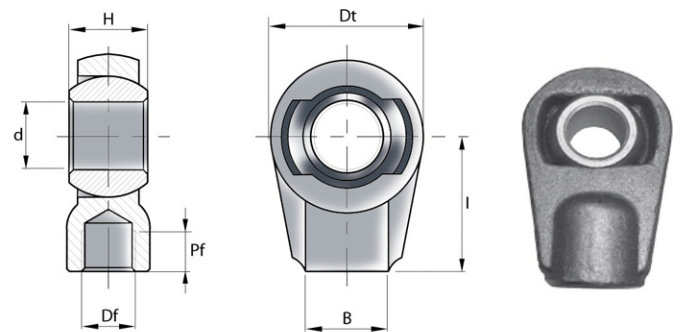
STEEL ON STEEL COUPLING
ROD END STEEL C40 UNI EN 10083-1



ORDER CODE	CAT.	d (A12)	H (h11)	B (Ø)	Dt	l	D1	DEGREE α	WEIGHT (kgs)
SR 10731	1	19	51	35	75	55	12	15	0.88
SR 10732	-	22.1	51	35	75	55	12	15	0.87
SR 10736	2	25.4	51	35	75	55	12	15	0.84
SR 10733	-	28.4	51	35	75	55	12	15	0.82
SR 10738	-	30	51	35	75	55	12	15	0.78
SR 10808	-	30	55	45	83	65	20	20	1.50
SR 10811	3	32	51	45	83	65	20	20	1.40
SR 10814	-	35	55	45	83	65	20	20	1.42

HOUSING WITH REMOVABLE BALL JOINT

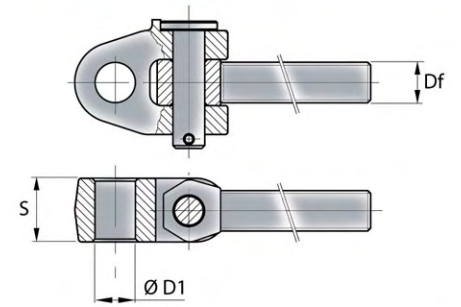
STEEL ON STEEL COUPLING
ROD END STEEL C40 UNI EN 10083-1



ON YOUR REQUEST WE MAKE CUSTOMISED THREADING

ORDER CODE	d (H10)	H (h11)	B (Ø)	Dt	l	Df	Pf	NOTE	WEIGHT (kgs)
SR 10900	16	20	27	44	45	M16X1.5	20	FLAT BASE	0.28
SR 10910	20	20	27	44	45	M18X1.5	20	FLAT BASE	0.25
SR 10920	25	30	35	61	60	M20X1.5	25	FLAT BASE	0.80
SR 10930	30	30	35	61	60	M22X1.5	25	FLAT BASE	0.72
SR 10940	35	40	45	80	80	M27X2	35	FLAT BASE	1.70
SR 10950	40	40	45	80	80	M30X2	35	FLAT BASE	1.60

ARTICULATED YOKE FOR 3 POINT LINKAGE

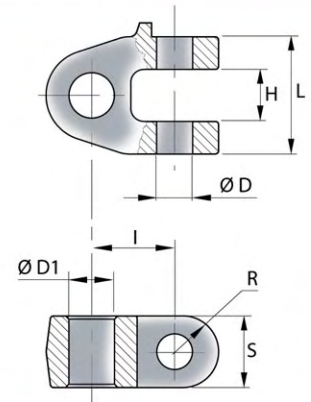


ORDER CODE	CAT.	Df	Ø D1	S
CPF 1400	2	M30X3 DX	25.4	51
CPF 1402	2	M30X3 SX	25.4	51
CPF 1404	-	M30X3 DX	28	51
CPF 1406	-	M30X3 SX	28	51
CPF 1408	-	M30X3 DX	30	51
CPF 1410	-	M30X3 SX	30	51
CPF 1412	3	M30X3 DX	32	51
CPF 1414	3	M30X3 SX	32	51
CPF 1416	1	M30X3.5 DX	19	51
CPF 1418	1	M30X3.5 SX	19	51
CPF 1420	-	M30X3.5 DX	20	51
CPF 1422	-	M30X3.5 SX	20	51
CPF 1424	-	M30X3.5 DX	22.1	51
CPF 1426	-	M30X3.5 SX	22.1	51
CPF 1428	2	M30X3.5 DX	25.4	51
CPF 1430	2	M30X3.5 SX	25.4	51

ORDER CODE	CAT.	Df	Ø D1	S
CPF 1432	-	M36x3 DX	20	51
CPF 1434	-	M36x3 SX	20	51
CPF 1436	-	M36x3 DX	22.1	51
CPF 1438	-	M36x3 SX	22.1	51
CPF 1440	2	M36x3 DX	25.4	51
CPF 1442	2	M36x3 SX	25.4	51
CPF 1444	-	M36x3 DX	28	51
CPF 1446	-	M36x3 SX	28	51
CPF 1448	-	M36x3 DX	30	51
CPF 1450	-	M36x3 SX	30	51
CPF 1452	3	M36x3 DX	32	51
CPF 1454	3	M36x3 SX	32	51

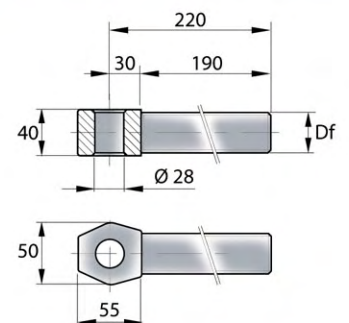
SHIFTER

ORDER CODE	Ø D	Ø D1	I	H	L	S	R	WEIGHT (kgs)
FC 1460	28	19	63	40	85	51	25.5	1.94
FC 1461	28	20	63	40	85	51	25.5	1.96
FC 1462	28	22.1	63	40	85	51	25.5	1.92
FC 1463	28	25.4	63	40	85	51	25.5	1.88
FC 1464	28	28	63	40	85	51	25.5	1.84
FC 1465	28	30	63	40	85	51	25.5	1.78
FC 1466	28	32	63	40	85	51	25.5	1.74
FC 1467	28	36	63	40	85	51	25.5	1.66
FC 1470	28	28	57	40	75	65	28	1.46



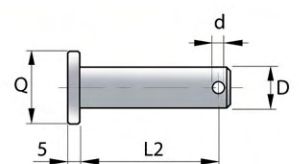
THREADED END ASSEMBLY FOR SHIFTER

ORDER CODE	Df	WEIGHT (kgs)
PF 1480	M30X3 DX	1.42
PF 1482	M30X3 SX	1.42
PF 1484	M30X3.5 DX	1.40
PF 1486	M30X3.5 SX	1.40
PF 1488	M36X3 DX	1.84
PF 1490	M36X3 SX	1.84
PGG 1500	Ø36 NOT TURNED	2.00

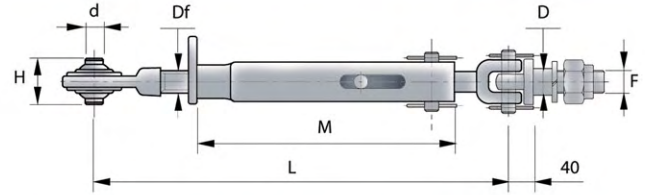


PIN

ORDER CODE	D	Q	L2	d	WEIGHT (kgs)
PF 11194	28	34X34	80	6	0.60
PF 11195	28	34X34	90	6	0.60



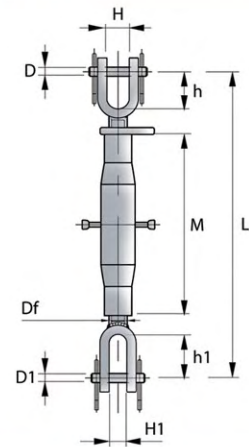
RIGID STABILISERS FOR TRACTOR



ORDER CODE	L		M	Df	d (A12)	H (h11)	D	F	NOTE	WEIGHT (kgs)
	MIN.	MAX								
SL 12000	470	620	355	M27X3	19	44	20	M20X2.5	NO EYELET	4.76
SL 12010	440	600	315	M27X3	19	44	28	M24X2	WTH EYELET	4.80
SL 12020	440	600	315	M27X3	25.4	51	28	M24X2	WTH EYELET	5.26
SL 12030	510	670	395	M27X3	19	44	28	M24X2	WTH EYELET	4.86
SL 12040	510	670	395	M27X3	25.4	51	28	M24X2	WTH EYELET	5.32

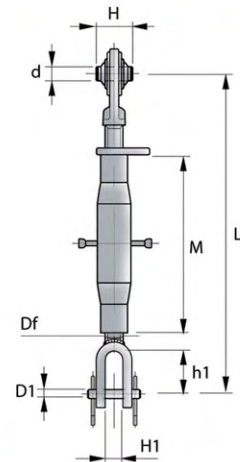
ADJUSTABLE LEVELLING ARM

ORDER CODE	L		M	Df	D	D1	H	h	H1	h1	WEIGHT (kgs)
	MIN.	MAX									
BL 11900	380	520	230	M22X2.5	18	18	30	37	24	72	2.74
BL 11905	400	480	230	M22X2.5	18	26	30	37	24	93	3.24
BL 11910	440	600	260	M24X2.5	18	18	40	70	24	72	3.42
BL 11915	530	690	370	M24X2.5	18	22	30	37	24	72	4.00
BL 11920	500	690	320	M27X3	18	18	40	70	24	72	3.54



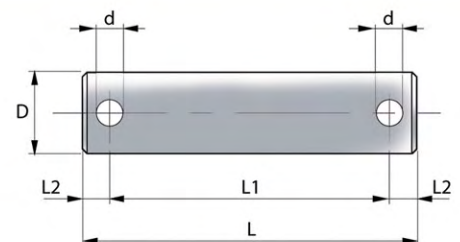
ADJUSTABLE LEVELLING ARM WITH BALL END

ORDER CODE	L		M	Df	d (A12)	D1	H (h11)	H1	h1	WEIGHT (kgs)
	MIN.	MAX								
BL 11930	380	530	225	M24X3	19	18	44	24	72	2.74
BL 11931	380	530	225	M24X3	22.1	18	35	24	72	2.84
BL 11940	420	570	275	M24X3	19	18	44	24	72	2.84
BL 11941	420	570	275	M24X3	22.1	18	35	24	72	2.94
BL 11943	510	660	360	M24X3	19	18	44	24	72	3.12
BL 11947	580	730	430	M24X3	22.1	18	35	24	72	3.26



LINKAGE PIN

ORDER CODE	D	L	L1	L2	d	WEIGHT (kgs)
PL 11921	18	64	52	6	6	0.12
PL 11922	18	74	62	6	6	0.14
PL 11923	18	84	72	6	6	0.16
PL 11924	18	94	82	6	6	0.18



TERMS AND CONDITIONS

1. GENERAL:

- 1/ ALL QUOTATIONS ARE MADE AND ALL ORDERS ACCEPTED TO THE FOLLOWING CONDITIONS. ALL CONDITIONS OF THE CUSTOMER AND OTHER CONDITIONS WHATSOEVER ARE EXCLUDED FROM THE CONTRACT OR ANY VARIATION THEREOF, UNLESS EXPRESSLY ACCEPTED BY THE COMPANY IN WRITING.
- 2/ 'RAMPARTS'® SHALL MEAN PARTS CONTAINED AND REFERRED TO BY AN ORDER CODE NUMBER IN THE STEERFORTH 'RAMPARTS'® CATALOGUE.

2. PRICES:

- 1/ ALL PRICES ARE AS STATED IN THE PRICE LIST LESS ANY DISCOUNTS GIVEN IN WRITING. THE COMPANY RESERVES THE RIGHT TO VARY THE DISCOUNT, A MINIMUM OF 14 DAYS NOTICE WILL BE GIVEN.
- 2/ ANY ALTERATION IN DESIGN OR QUANTITIES SHALL ENTITLE THE COMPANY TO MAKE AN ADJUSTMENT IN PRICE CORRESPONDING TO THAT ALTERATION.
- 3/ THE COST OF CARRIAGE AND PACKING FOR DELIVERY TO THE UK MAINLAND IS NOT INCLUDED IN THE PRICE LIST AND IS NORMALLY 3 DAYS DELIVERY SERVICE UNLESS STATED. ANY SPECIAL DELIVERY REQUEST SHALL BE SUBJECT TO AN ADDITIONAL CHARGE.
- 4/ AT THE DISCRETION OF THE COMPANY A DEPOSIT WILL BE PAYABLE WITH OFFICIAL ORDER FOR BESPOKE / HIGH VALUE ITEMS.

3. DELIVERY:

- 1/ TIME FOR DELIVERY IS GIVEN AS ACCURATELY AS POSSIBLE. THE CUSTOMER SHALL HAVE NO RIGHT TO DAMAGES OR TO CANCEL THE ORDER FOR FAILURE FOR ANY CAUSE TO MEET ANY DELIVERY TIME STATED.
- 2/ DATE OF DELIVERY SHALL IN EACH CASE DEPEND ON RECEIPT OF FINAL INSTRUCTIONS FROM THE CUSTOMER.
- 3/ THE COMPANY SHALL ENDEAVOUR TO COMPLY WITH REASONABLE REQUESTS BY THE CUSTOMER FOR POSTPONEMENT OF DELIVERY BUT SHALL BE UNDER NO OBLIGATION TO DO SO. WHERE POSTPONEMENT IS AGREED BY THE COMPANY IN WRITING, THE CUSTOMER SHALL PAY ALL COSTS AND EXPENSES INCLUDING A REASONABLE CHARGE FOR STORAGE OCCASIONED THEREBY.

4. RISK: INSURANCE; TITLE

- 1/ RISK SHALL PASS TO THE CUSTOMER WHEN GOODS OR RELEVANT PART THEREOF LEAVE THE PREMISES OF THE COMPANY FOR DELIVERY TO THE CUSTOMER NOT WITHSTANDING THAT THE COMPANY MAY ARRANGE DELIVERY.
- 2/ TITLE OF THE GOODS SHALL PASS TO THE CUSTOMER WHEN PAYMENT, IN FULL, HAS BEEN MADE UNDER CONTRACT.

5. CANCELLATION:

- 1/ CANCELLATION OF AN ORDER FOR GOODS NOT LISTED IN THE CATALOGUE (I.E BESPOKE HYDRAULIC CYLINDERS) WILL NOT BE ACCEPTED BY THE COMPANY HOWEVER, THE COMPANY MAY AT ITS DISCRETION AGREE TO CANCELLATION ON THE STRICT CONDITION THAT ALL EXPENSES, LOSS OF PROFITS AND ANY OTHER LOSS OR DAMAGE RESULTING TO THE COMPANY UP TO THE TIME OF CANCELLATION WILL BE REIMBURSED BY THE CUSTOMER TO THE COMPANY FORTHWITH.

6. TERMS OF PAYMENT:

- 1/ ALL CREDIT ACCOUNTS SHALL BE NET MONTHLY AND DUE AND PAYABLE BY THE CUSTOMER 30 DAYS.
- 2/ NO DISPUTES ARISING UNDER THE CONTRACT OR DELAYS BEYOND THE CONTROL OF THE COMPANY SHALL INTERFERE WITH THE PROMPT PAYMENT BY THE CUSTOMER.
- 3/ IN EVENT OF DEFAULT OF PAYMENT BY THE CUSTOMER, THE COMPANY SHALL BE ENTITLED TO SUSPEND ALL FURTHER DELIVERIES WITHOUT NOTICE.

7. SHORTAGES AND DEFECTS APPARENT IN INSPECTION:

- 1/ ANY CLAIM FOR SHORTAGES OR DEFECTS APPARENT ON INSPECTION WILL ONLY BE CONSIDERED IF;
 - a/ CUSTOMER INSPECTS THE GOODS IMMEDIATELY UPON ARRIVAL ON THE PREMISES & SIGNS CARRIERS PAPERWORK AS DAMAGED (IF THIS IS THE CASE).
 - b/ A WRITTEN COMPLAINT IS MADE TO THE COMPANY WITHIN 7 DAYS OF RECEIPT OF GOODS.
 - c/ THE COMPANY IS GIVEN THE OPPORTUNITY TO INSPECT THE GOODS.IF A COMPLAINT IS NOT MADE TO THE COMPANY AS HEREIN PROVIDED THE GOODS SHALL BE DEEMED TO BE IN ALL RESPECTS IN ACCORDANCE WITH THE CONTRACT, THE CUSTOMER SHALL BE BOUND TO THE CONTRACT AND THE CUSTOMER SHALL PAY FOR THE SAME ACCORDINGLY.
- 2/ ANY GOODS MODIFIED OR DISMANTLED IN ANY WAY WILL BE VOID OF WARRANTY.

8. FIT FOR PURPOSE:

- 1/ CUSTOMERS REQUESTS FOR HYDRAULIC RAMS SHALL INCLUDE 'RAMPARTS'® WHEREVER POSSIBLE. APPLICATIONS FOR THE USE OF ANY HYDRAULIC RAMS MADE BY THE CUSTOMER OR BY THE COMPANY USING 'RAMPARTS'® OR ANY REQUEST TO THE COMPANY UNDER CONTRACT SHALL BE THE SOLE RESPONSIBILITY OF THE CUSTOMER. NO LIABILITY FOR THE FAILURE AS A RESULT OF INCORRECT APPLICATION, FAIR WEAR AND TEAR AND USAGE SHALL ATTACH TO THE COMPANY.

9. GUARANTEE:

- 1/ SAVE AS PROVIDED BY CONDITION 7 HEREOF THE COMPANY AGREES TO REPLACE OR REPAIR AS ITS OPTION GOODS OR PART OF GOODS SUPPLIED BY THE COMPANY AND PROVED TO THE COMPANY'S SATISFACTION TO BE FAULTY (FAIR WEAR AND TEAR EXCLUDED) PROVIDED SUCH FAULT TO BE NOTIFIED WITHIN 6 MONTHS OF THE DATE OF DISPATCH FROM THE COMPANY'S WORKS. HYDRAULIC CYLINDERS BUILT FROM RAMPARTS COMPONENTS ARE NOT GUARANTEED UNLESS INDIVIDUAL COMPONENT FAILURE IS EVIDENT. THE CUSTOMER HEREBY ACKNOWLEDGES THAT:
 - a/ THE CUSTOMER PURCHASED GOODS IN THE COURSE OF BUSINESS AND NOT FOR PRIVATE USE AND;
 - b/ THE CUSTOMER KNOWS THE EXTENT AND MEANING OF THIS CLAUSE AND THE LIMITATIONS THEREBY IMPOSED BY AND SECTIONS 13, 14 AND 15 OF THE SALE OF GOODS ACT 1979.

10. LIABILITY:

- 1/ THE COMPANY'S LIABILITY, WHETHER IN RESPECT OF ONE CLAIM OR IN AGGREGATE, ARISING OUT OF ANY CONTRACT SHALL NOT EXCEED THE PURCHASE PRICE UNDER CONTRACT. THE COMPANY DOES NOT ACCEPT LIABILITY FOR ANY CONSEQUENTIAL LOSSES.

11. CUSTOMER'S DRAWINGS:

- 1/ THE COMPANY ACCEPTS NO RESPONSIBILITY FOR THE ACCURACY OF INFORMATION OF DRAWINGS SUPPLIED BY THE CUSTOMER.
- 2/ THE CUSTOMER SHALL INDEMNIFY THE COMPANY AGAINST ALL ACTIONS, CLAIMS, COSTS AND PROCEEDINGS WHICH ARISE DUE TO MANUFACTURE OF COMPONENTS TO THE DRAWINGS AND OR THE SPECIFICATIONS OF THE CUSTOMER WHERE SUCH DRAWINGS AND OR SPECIFICATIONS SHALL BE AT FAULT OR WHERE IT IS ALLEGED THAT THEY INVOLVE AN INFRINGEMENT OF ANY EXCLUSIVE RIGHT.

12. DATA:

- 1/ ALL ILLUSTRATIONS, WEIGHTS, DIMENSIONS, MEASUREMENT AND SPECIFICATIONS SET OUT IN THE 'RAMPARTS'® / STEERFORTH CATALOGUE ARE STATEMENTS OF OPINION, NOT TO SCALE AND ARE PROVIDED FOR INFORMATION ONLY AND FORM NO PART OF THE CONTRACT. SUBJECT TO CHANGE WITHOUT NOTICE.
- 2/ ALL RIGHTS RESERVED - THIS CATALOGUE MAY NOT BE PRODUCED IN WHOLE OR IN PART WITHOUT THE PERMISSION OF STEERFORTH SALES.

13. SUB-CONTRACTORS:

- 1/ THE COMPANY SHALL BE ENTITLED TO APPOINT ONE OR MORE SUB-CONTRACTORS TO CARRY OUT ALL OR ANY OF ITS OBLIGATIONS HEREUNDER,

14. LEGAL:

- 1/ THE CONTRACT SHALL BE GOVERNED AND INTERPRETED EXCLUSIVELY ACCORDING TO ENGLISH LAW.

15. INTEREST:

- 1/ INTEREST AT 20% SHALL BE PAYABLE ON ALL ACCOUNTS NOT SETTLED BY THE DUE DATE.



STEERFORTH SALES LTD
UNIT 7 HOLDER ROAD
ALDERSHOT
HAMPSHIRE
GU12 4RH
UNITED KINGDOM

TEL: +0044 (0)1252 333633 - FAX: +0044 (0)1252 343080
E-MAIL: sales@steerforth.co.uk - WEB: www.steerforth.co.uk

MMXVIII